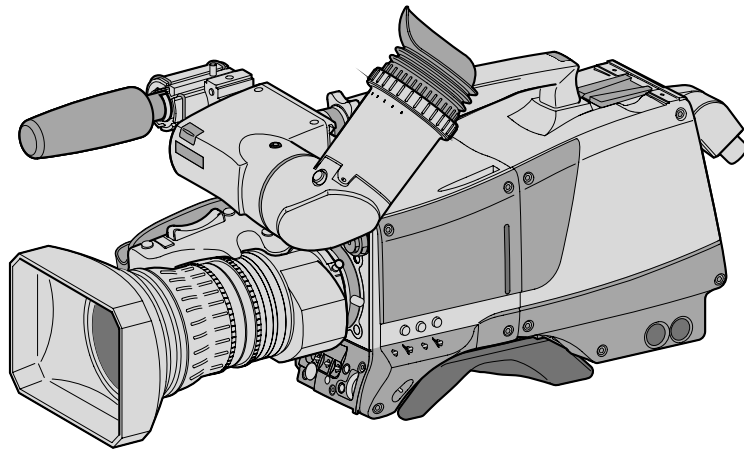


User's Guide

3922 496 31341 December 2009 v1.01



LDK 8000 Elite/4000 Elite

System camera

Declaration of Conformity

We, Grass Valley Nederland B.V., Kapittelweg 10, 4827 HG Breda, The Netherlands, declare under our sole responsibility that this product is in compliance with the following standards:

- EN60065 : Safety
- EN55103-1: EMC (Emission)
- EN55103-2: EMC (Immunity)

following the provisions of:

- a. the Low Voltage directive 2006/95/EC
- b. the EMC directive 2004/108/EC

FCC Class A Statement

This product generates, uses, and can radiate radio frequency energy and if not installed and used in accordance with the instructions, may cause interference to radio communications.

It has been tested and found to comply with the limits for a class A digital device pursuant to part 15 of the FCC rules, which are designed to provide reasonable protection against such interference when operated in a commercial environment.

Operation of this product in a residential area is likely to cause interference in which case the user at his own expense will be required to take whatever measures may be required to correct the interference.

Copyright

Copyright Grass Valley Nederland B.V. 2009. Copying of this document and giving it to others, and the use or communication of the contents thereof, are forbidden without express authority. Offenders are liable to the payment of damages. All rights are reserved in the event of the grant of a patent or the registration of a utility model or design. Liable to technical alterations in the course of further development.

Trademarks

Grass Valley and Infinity are trademarks of Grass Valley, Inc. All other tradenames referenced are service marks, trademarks, or registered trademarks of their respective companies.

Website

Visit the Grass Valley public website to download the latest user's guide updates and additional information about your broadcast product:

www.grassvalley.com

Table of contents

Chapter 1 – Introduction

1.1	Welcome	15
1.1.1	About this manual	15
1.1.2	Related documents	15
1.2	Technology	16
1.2.1	HD imagers	16
1.2.2	Digital processing	16
1.2.3	Focus assist	16
1.3	Camera versions	17
1.3.1	LDK 8000 Elite Enterprise version (LDK 8000/70)	17
1.3.2	LDK 8000 Elite Worldcam version (LDK 8000/71)	17
1.3.3	LDK 4000 Elite	17
1.4	Features	18
1.5	List of accessories	19

Chapter 2 – Installation

2.1	Mounting a lens	21
2.2	LDK 5302/60 2-inch viewfinder	22
2.2.1	Mounting viewfinder and microphone holder	22
2.2.2	Positioning the viewfinder	23
2.3	2-inch viewfinder accessories	24
2.3.1	LDK 5390/00 Wide angle eyepiece	24
2.3.2	LDK 5390/10 Left eye adaptor	24
2.4	AJ-MC700 Microphone	25
2.5	LDK 5301/10 Tripod adaptor plate	26
2.6	Adjusting the shoulder pad	27
2.7	Exchanging the camera adaptor	28
2.8	LDK 5020/05 Universal transport case	29
2.9	Packing for return	30

Chapter 3 – Configurations

3.1	HD Fiber configuration	31
3.2	TriaxHD configuration	32
3.3	Stand-alone configuration	33
3.4	HD Wireless configuration	34
3.5	Multiple camera configuration	35

Chapter 4 – Operating instructions

4.1	Using the camera	37
4.1.1	Switching on the power	37
4.1.2	Controlling the camera	37
4.2	Location of controls	38
4.2.1	Camera head controls	38

4.3	User buttons	39
4.4	Viewfinder preferences	40
4.4.1	Tally on/off switch	40
4.4.2	Zebra (exposure indication)	40
4.4.3	VF Option switch	40
4.4.4	Viewfinder picture quality	40
4.4.5	Dioptr adjustment	40
4.4.6	Viewfinder markers and indicators	41
4.4.7	Focussing	43
4.5	Lens operation	44
4.5.1	Auto iris	44
4.5.2	Extended auto iris	44
4.5.3	Precision focus	45
4.5.4	Lens indicators in the viewfinder	45
4.6	Controls on the TriaxHD and HD Fiber adaptor	46
4.6.1	Powering the camera	46
4.6.2	Selecting monitoring signals	47
4.6.3	Using audio	48
4.6.4	Intercom	49
4.7	Communication	50
4.8	Managing files	51
4.8.1	Scene files	51
4.8.2	Operator files	51
4.8.3	Standard files	52
4.8.4	Customer standard files	52
4.9	Access and security	53
4.9.1	User level	53
4.9.2	Selecting the user level	53
4.9.3	Disable camera	53
4.9.4	Camera cards	53
4.9.5	Access control	54
4.9.6	Camera card slot	55

Chapter 5 – Video setup

5.1	Video settings	57
5.1.1	Standard settings	57
5.1.2	Non-standard indicator	57
5.2	Video modes	57
5.2.1	Camera with LDK 5880 HD Fiber adaptor	58
5.2.2	Camera with LDK 5861 TriaxHD adaptor	59
5.3	Test signals	60
5.4	Gain	60
5.4.1	Gain selection	60
5.4.2	Variable gain	60
5.4.3	Digital noise reducer	61
5.5	Optical filters	61
5.6	Color temperature	62
5.6.1	Selecting the color temperature	62
5.6.2	Variable color temperature	63
5.6.3	Auto-white balance	63
5.7	Color correction	65
5.7.1	Setup using the system menu	65
5.7.2	Setup using the Operational Control Panel	66

5.8	Exposure time	67
5.8.1	Selecting the exposure time	67
5.8.2	Lighting	67
5.8.3	Vertical shift (V-shift)	68
5.8.4	Clean scan	68
5.9	Reverse scan	69
5.10	Freeze frame	69
5.11	Black stretch	69
5.12	Auto skin detail	69

Chapter 6 – System menu

6.1	Using the system menu	71
6.1.1	Entering the system menu	72
6.1.2	Finding your way	72
6.1.3	Leaving the system menu	73
6.1.4	Making changes	73
6.1.5	Undoing changes	73
6.2	Menu structure	74
6.2.1	Top menu structure	74
6.2.2	Viewfinder menu structure	75
6.2.3	Lens menu structure	76
6.2.4	Video menu structure	77
6.2.5	Video menu structure (continued)	78
6.2.6	Install menu structure	79
6.2.7	Files menu structure	80
6.2.8	Security menu structure	80
6.2.9	Diagnostics menu structure	81
6.2.10	Service menu structure	82
6.3	Menu contents	83
6.3.1	Viewfinder menu	83
6.3.2	Lens menu	85
6.3.3	Video menu	86
6.3.4	Install menu	91
6.3.5	Files menu	95
6.3.6	Security menu	96
6.3.7	Diagnostics menu	97
6.3.8	Service menu	100

Chapter 7 – Connectors

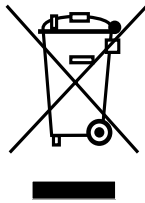
7.1	Camera head	103
7.1.1	Connectors on the LDK 8000 Elite/4000 Elite camera head	103
7.2	Camera adaptors	106
7.2.1	Connectors on the LDK 5861 TriaxHD and LDK 5880 HD Fiber adaptor	106
7.2.2	Connectors on the LDK 5490 HD-SDI adaptor	111

Chapter 8 – Specifications

8.1	Specifications for LDK 8000 Elite/4000 Elite camera head	115
8.1.1	Technical	115
8.1.2	Dimensions	116
8.2	Specifications for LDK 5880 HD Fiber adaptor	117
8.2.1	Technical	117
8.2.2	Dimensions	118

8.3	Specifications for LDK 5861 TriaxHD adaptor	119
8.3.1	Technical	119
8.3.2	Dimensions	120
8.4	Specifications for LDK 5490 HD-SDI adaptor	121
8.4.1	Technical	121
8.4.2	Dimensions	121

End-of-life product recycling



Grass Valley's innovation and excellence in product design also extends to the programs we've established to manage the recycling of our products. Grass Valley has developed a comprehensive end-of-life product take back program for recycle or disposal of end-of-life products. Our program meets the requirements of the European Union's WEEE Directive and in the United States from the Environmental Protection Agency, individual state or local agencies.

Grass Valley's end-of-life product take back program assures proper disposal by use of Best Available Technology. This program accepts any Grass Valley branded equipment. Upon request, a Certificate of Recycling or a Certificate of Destruction, depending on the ultimate disposition of the product, can be sent to the requester.

Grass Valley will be responsible for all costs associated with recycling and disposal, including freight, however you are responsible for the removal of the equipment from your facility and packing the equipment ready for pickup.

For further information on the Grass Valley product take back system please contact Grass Valley at + 800 80 80 20 20 or +33 1 48 25 20 20 from most other countries. In the US and Canada please call 800-547-8949 or 530-478-4148. Ask to be connected to the EH&S Department. In addition, information concerning the program can be found at:

www.grassvalley.com/environment

Important information

Read these instructions carefully and retain them for future reference. Regularly check the Grass Valley website (www.grassvalley.com) for new updates of this and other user's guides.

During installation and operation of this equipment, local building safety and fire protection standards must be observed.

Whenever it is likely that safe operation is impaired, the apparatus must be made inoperative and secured against any unintended operation. The appropriate servicing authority must then be informed. For example, safety is likely to be impaired if the apparatus fails to perform the intended function or shows visible damage.

Any changes or modifications not expressly approved in this manual could void your authority to operate this equipment.

Cautions and Warnings

Read and comply with the warning and caution notices that appear in the manual.

Warnings indicate danger that requires correct procedures or practices to prevent death or injury to personnel.

Cautions indicate procedures or practices that should be followed to prevent damage or destruction to equipment or property.

Warnings



To prevent fire or shock hazard, do not expose the unit to rain or moisture. If the unit is in a wet or damp environment, a rain cover must be used to protect it for personal safety reasons.



To avoid electrical shock, do not remove covers or panels. Refer servicing to qualified personnel only.



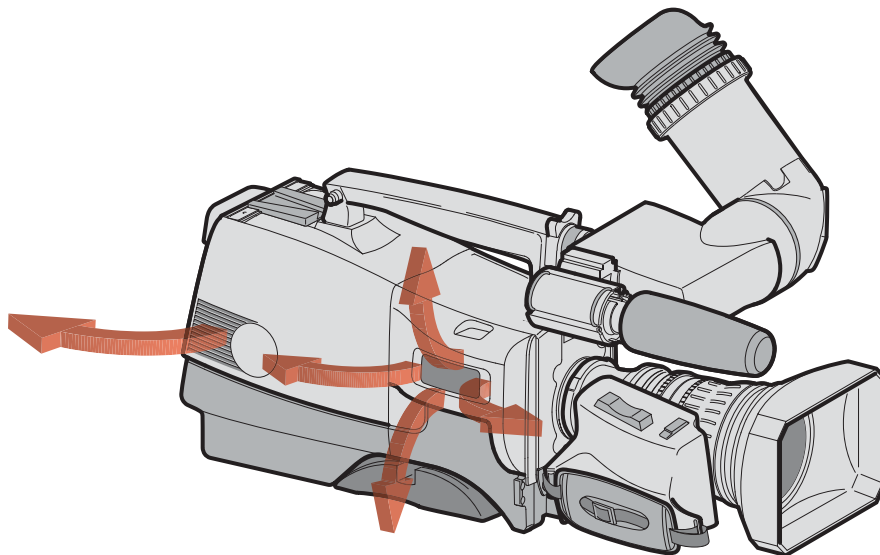
In case of an emergency ensure that the power is disconnected.



Connect the product only to a power source with the specified voltage rating.



To prevent risk of overheating, ventilate the camera correctly. Do not block the hot airflow coming from the outlets on the right side of the camera head and camera adaptor.



Precautions

To ensure continual high performance from the camera take the following precautions into consideration:

- Avoid damp places. If the environment is wet or damp a rain cover must be used to protect the unit.
- Do not subject the unit to severe shocks or vibration.
- Do not expose the camera to extremes of temperature.
- Do not leave the unit in direct sunlight or close to heating appliances for extended periods.
- Do not allow sunlight to shine into the viewfinder.
- Do not allow laser beams to shine into the lens as this could damage the imagers.
- Avoid extreme highlights as these can cause various kinds of optical reflections.
- Be careful when connecting and disconnecting Triax or Fiber cables.
 - Do not mix units from different types of camera systems (HD with SD, Triax with digital Triax)
 - Do not connect Grass Valley camera systems with other manufacturer's camera system parts.
- Make connections swiftly and firmly to avoid false error messages.

Triax cable systems

- Only connect a Triax cable from the same LDK camera family to the unit.
- Do not allow system earth currents to exceed 1.5 A in the outer shield of the Triax cable or 0.2 A in other cable shields.
- To avoid excessive earth currents in a Triax system, galvanically separate the power earth connection of equipment connected to the camera from the camera earth.
- It is strictly prohibited to short circuit the inner and outer shields of a Triax cable used to connect a camera to a base station.

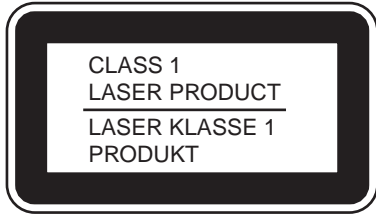
Galvanic separation

Because of the nature of Triax systems, with long distances between camera and Base Station, the risk of earth currents flowing is greater. These earth currents can result in damage to the equipment.

For example, a monitor connected directly to the CVBS output of the camera is powered locally. The earthing point of the monitor's power supply can be at a different potential with respect to the earthing point of the Base Station. If the power earth of the monitor is also the video earth, then this earth potential is transferred to the camera via the shield of the BNC connector. The difference in earth potential between the camera and the Base Station results in an earth current in the Triax system.

To prevent earth currents from flowing in the Triax system, we recommend galvanic separation of earthed equipment connected to the camera. This separation can be achieved by using an isolation transformer between the local power outlet and the equipment connected to the camera. Alternatively, use equipment that has a double insulation and therefore does not require an earth connection.

Fiber-optic transmission units



Laser safety statement (Europe)

Fiber-optic transmission units are classified as a “CLASS 1 Laser Product” according to EN 60825-1, Safety of Laser products. Class 1 laser products are considered safe and do not result in biological hazard if used according to the instructions.

Laser safety statement (US)

Fiber-optic transmission units are classified as a “CLASS 1 Laser Product” according to 21CFR 1040.10 of the US Food and Drug Administration (FDA) Center for Devices and Radiological Health.



WARNING

Use of controls, adjustments or performance of procedures other than those specified herein may result in hazardous radiation exposure.

To ensure proper use of this product, please read this instruction manual carefully and retain for future reference. Should the unit ever require maintenance, contact an authorized service location.

Fiber-optic cable precautions

Fiber-optic cables and connectors are easily damaged; take the following precautions into account:

- Do not bend the cable beyond the minimum permissible bend range specified for the cable.
- Avoid kinks in the cable.
- Avoid subjecting the cable to a high tension force (even momentarily).
- Do not twist the cable when connecting it to equipment.
- Insert connectors straight and fully into their corresponding sockets.
- In fiber-optic cable systems always put the dust caps on cable and panel connectors immediately after disconnecting a cable. Keep the dust caps clean.

Cleaning fiber-optic connectors



WARNING

Always switch off power before cleaning the connectors.



WARNING

Never clean an optical connector attached to a fiber that is carrying light.

Particles of foreign matter on the tip of a ferrule can have a disabling effect on fiber-optic transmission. Fiber-optic connectors need to be cleaned every time they are mated and unmated; it is essential that fiber-optic users develop the necessary discipline to always clean the connectors before they are mated.

Use a commercially available cleaning kit specifically designed for fiber-optic connectors and follow the manufacturer's instructions carefully.

- The connector sections to be cleaned include the tips and sides of ferrules, the interior walls of alignment sleeves, and the interior and exterior of connector shells.
- For plugs, the interior surfaces of alignment sleeves and the tips of ferrules are to be cleaned with a cleaning stick treated with the appropriate fluid. (Cleaning sticks with a slender design are available that allow alignment sleeves to be cleaned without having to detach them.)
- For jacks, it is important to clean both the tips and sides of the completely protruding ferrules.
- Both the male and female connector shells tend to attract dust and metal particles, so it is important to clean both the insides and outsides.
- The fiber end face and ferrule must be absolutely clean before it is inserted into a transmitter or receiver.
- Mate the connector immediately! Don't let the connector lie around and collect dust before mating.
- Air can be used to remove lint or loose dust from the port of a transmitter or receiver to be mated with the connector. Never insert any liquid into the ports.



Chapter 1

Introduction

1.1 Welcome

The LDK 8000 Elite/4000 Elite is a high definition multi-format (LDK 8000 Elite) or single-format (LDK 4000 Elite) camera head using three 2/3-inch HD-DPM⁺™ imagers. The small, lightweight, camera head contains the optical pickup devices and digital image processing electronics, while the transmission system (HD Fiber, TriaxHD, HD-SDI or HD Wireless) can be selected by using interchangeable dockable adaptors. The dockable principle allows a choice of transmission and thus the greatest flexibility and cost-effective solutions in multiple applications.

1.1.1 About this manual

The purpose of this manual is to present a detailed description of how to operate the LDK 8000 Elite/4000 Elite camera equipped with a dockable transmission adaptor. It provides the information necessary to use the camera in different configurations and with various attachments. This manual describes all operating features of the camera so it can be used to its full potential.

This guide is so designed that it can be used as an introduction to those who are new to the camera, as a simple procedural guide to those who wish to set-up and start shooting immediately, and as a reference work to be consulted as required during the long life of the camera.

1.1.2 Related documents

Before proceeding, check the Grass valley website at www.grassvalley.com for the latest version of this user's guide and additional information:

- Online versions of documentation; updated versions of user's guides, data sheets, brochures, application notes in pdf-format are available for download.
- Software downloads; camera software updates, release notes and installation instructions are available for download.

1.2 Technology

1.2.1 HD imagers

The camera head uses HD-DPM⁺™ CCD imagers which offer superior performance and ultimate flexibility. Native high-definition video formats 1080p (LDK 8000 Elite Worldcam only), 1080i and 720p are produced at the touch of a button.

Progressive frame sampling is the native imaging mode, providing complete frame samples. The entire imager surface is used for image sampling—there are no interline transfer channels which introduce aliasing artifacts.

The camera's native multi-format capability is realized with innovative 9.2 million pixel Frame Transfer 2/3-inch CCD imagers. These allow vertically grouping of different numbers of pixels on the imagers themselves—there is no need for internal format conversion.

These imagers have a high dynamic range and high linear sensitivity across all camera lens apertures. Unique imager shuttering completely eliminates vertical smear.

1.2.2 Digital processing

The advanced digital processing of the camera is based on 14-bit A/D converters and 34-bit accurate internal processing. All major camera functions are processed in the digital domain, including knee, gamma, detail, matrix and color correction.

The intelligent continuous automatics function provides automatic control of black levels and black shading. Each imager provides black reference signals that are used to monitor temperature changes. This means that continuous automatic correction is applied without operator intervention.

The digital detail processing uses full amplitude video RGB signals via an extended dynamic range detail circuit. Colorimetry is selected by means of a variable 6-point digital matrix or via preset matrices. Digital gamma circuits provide a wide range of standardized gamma curves and enable soft contrast in black scenes to be enhanced, together with hard contrast and saturated color in bright scenes. The matrix and gamma sequence is software programmable for precise color matching.

1.2.3 Focus assist

With HD, focusing is even more critical than before. The LDK 8000 Elite/4000 Elite has special patented focusing aids. A unique viewfinder zoom function enlarges the viewfinder image instantly with a simple press-button action, thus providing improved means for focusing.

Additionally, a patented crawler circuitry adds motion in the viewfinder to objects in sharp focus.

1.3 Camera versions

1.3.1 LDK 8000 Elite Enterprise version (LDK 8000/70)

The LDK 8000 Elite Enterprise version supports both 720p and 1080iHD acquisition formats in 50 and 59.94 Hz and simultaneously provides high-quality SD outputs in either 50 Hz or 59.94 Hz (optional feature).

The following acquisition formats are available for the Enterprise version:

- 720p at 59.94 Hz and 50 Hz
- 1080i at 59.94 Hz and 50 Hz

1.3.2 LDK 8000 Elite Worldcam version (LDK 8000/71)

The Worldcam version provides, in addition to the Enterprise version formats, 1080p50/59.94 format. This future-proof acquisition format is very suitable for high-quality drama and cinematography productions.

Additionally, digital cinematography formats in 1080p and 720p are available, which give an impression of motion comparable to film cameras running at identical speeds.

The Worldcam also provides convenient built-in frame-rate conversions for easy connection to existing HD peripherals, offering possibilities for cost-effective monitoring and recording combined with the motion portrayal of film cameras. The 1080p format at 23.98 Hz, for example, can be converted using 3:2 pull-down to 1080i at 59.94 Hz right inside the camera.

The following acquisition formats are available for the Worldcam version:

- 720p at 59.94 Hz and 50 Hz
- 720p at 23.98 Hz, 25 Hz and 29.97 Hz
- 1080i at 59.94 Hz and 50 Hz
- 1080p at 50 Hz and 59.94 Hz
- 1080p at 23.98 Hz, 24 Hz, 25 Hz and 29.97 Hz

1.3.3 LDK 4000 Elite

The LDK 4000 Elite camera head is available in two versions. The LDK 4000/70 supports 720p formats while the LDK 4000/71 supports 1080i formats, both in 50 Hz and 59.94 Hz. You decide when ordering which version you require.

1.4 Features

- Ultimate flexibility with HD-DPM+™ CCD imagers with native switchability (LDK 8000 Elite only) between interlaced 1080i, true progressive 720p and 1080p (LDK 8000 Elite Worldcam only) high definition digital cinematography formats.
- The CCD imagers have 9.2 million pixels each, with 1920 (H) x 4320 (V) effective picture elements.
- Frame Transfer technology ensures no smear.
- 14-bit A-to-D and 34-bit digital signal processing.
- Superior all digital highlight handling with a wide dynamic range.
- Unique circuitry for pivoting knee and True Color Knee.
- Variable gain control and variable color temperature.
- Secondary color corrector with six sets for color hue, saturation and luminance adjustment.
- Wide range of presets and variable 6-point digital matrix assure accurate color matching.
- Fluorescent light matrix.
- User definable noise reduction.
- Digital gamma with unique standard preset values and highest accuracy.
- Digital detail with an extensive range of parameters.
- Advanced detail correction includes two automatic skin settings.
- Intelligent Continuous Automatics black levels, black shading and video levels - no set-up time required.
- Digital contrast with standard black stretch and black press.
- International standard 2/3-inch broadcast lens interface.
- Optical servo-controlled four-position neutral density filter wheel.
- Optical servo-controlled effect filter wheel with soft focus, four-point star and six-point star filters.
- Electronic color filter can be used for creating a special look (warm/cold) of a scene, or for a smooth color temperature control around the white balance setting.
- Smart card for personal settings and security.
- Owner card for setting user levels, and for copying and storing control settings.
- Protected, easy-to-operate controls and switches with read-out of all settings.
- Viewfinder status read-out of primary camera functions.
- Clean scan and V-shift features allow capture of monitor and projection screen pictures.

1.5 List of accessories

LDK 4489	Xpander
LDK 4488	SuperXpander
LDK 6517	7-inch viewfinder support
LDK 4800	HD/HS Triax Repeater
LDK 5302/60	2-inch HD viewfinder
LDK 5305	5-inch HD viewfinder
LDK 5308	8.4-inch EFP HD viewfinder
LDK 4021	7-inch HD viewfinder for use with SuperXpander
LDK 4025	8-inch LCD HD viewfinder for use with SuperXpander
LDK 5390/00	Wide angle adaptor for LDK 5302/60 2-inch viewfinder
LDK 5390/10	Left eye adaptor for LDK 5302/60 2-inch viewfinder
LDK 6992/02	Sunhood for LDK 5305 5-inch viewfinder
LDK 5021/05	Raincover for camera with LDK 5305 5-inch viewfinder
LDK 5031/10	Tripod plate
LDK 8111/37	Headset dynamic XLR-5 (double muff)
LDK 8111/51	Headset dynamic XLR-5 (single muff)
LDK 6985/21	Scriptboard with light
LDK 5020/05	Universal transport case
LDK 5020/01	Carrying bag
LDK 5901/00	AC power supply 100 W

Chapter 2

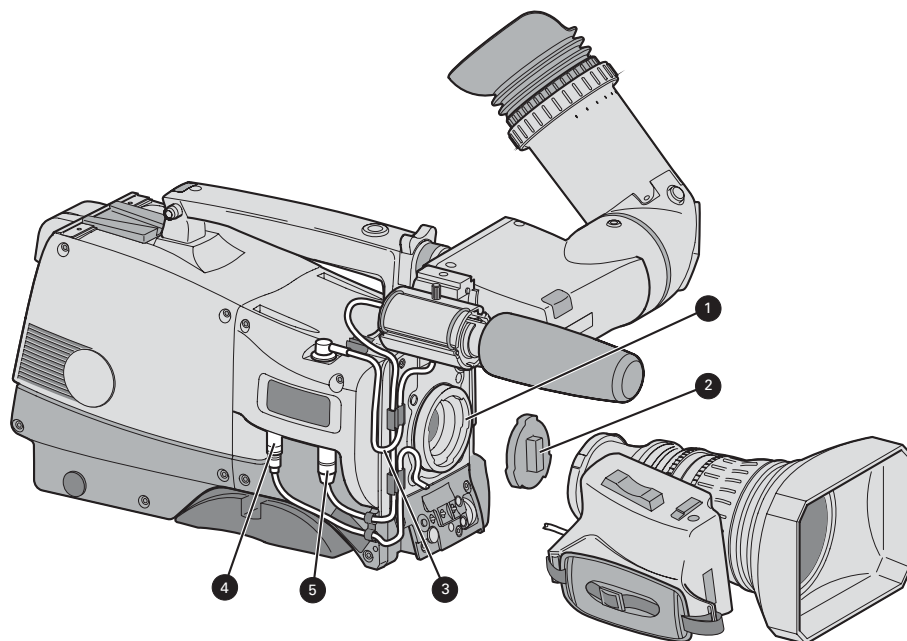
Installation

2.1 Mounting a lens

To attach a lens to the camera head proceed as follows:

1. Ensure that the lens locking ring (1) is in the unlocked position - turned counterclockwise.
2. Remove the dust protection cap (2).
3. Slot the lens into the lens mount (3).
4. Turn the lens locking ring (1) clockwise until the lens locks firmly in place.
5. Connect the lens cable to the lens connector (4) at the right side of the camera.
6. Place the lens cable into the bottom clip at the front of the camera and clip (5) located at the side.

Figure 2-1. Lens mounting





Caution

Do not attach a lens weighing more than 5 kg (11 lbs) to the camera without a proper lens support.

When a new lens is fitted to the camera it may be necessary to carry out some adjustments to optimize its use, for example, back focus or shading. For more information about these adjustments refer to the lens manufacturer's documentation.



Note

Always mount the dust protection cap when the lens is not connected to the camera.

2.2 LDK 5302/60 2-inch viewfinder

2.2.1 Mounting viewfinder and microphone holder

To mount the viewfinder proceed as follows:

1. Loosen locking ring (1) of viewfinder support bracket (2) at the front of the camera handgrip. (As seen from the rear of the camera, turning the locking ring counterclockwise moves it towards the handgrip.)
2. Slide the viewfinder onto the viewfinder support bracket.
3. Tighten the locking ring (1) by turning it clockwise (as seen from rear) so that the viewfinder is mounted securely to the support.
4. Connect the viewfinder cable to the viewfinder connector socket (6) at the top right of the camera.
5. Slide the microphone holder (4) onto the viewfinder and secure with the knurled screw (5).

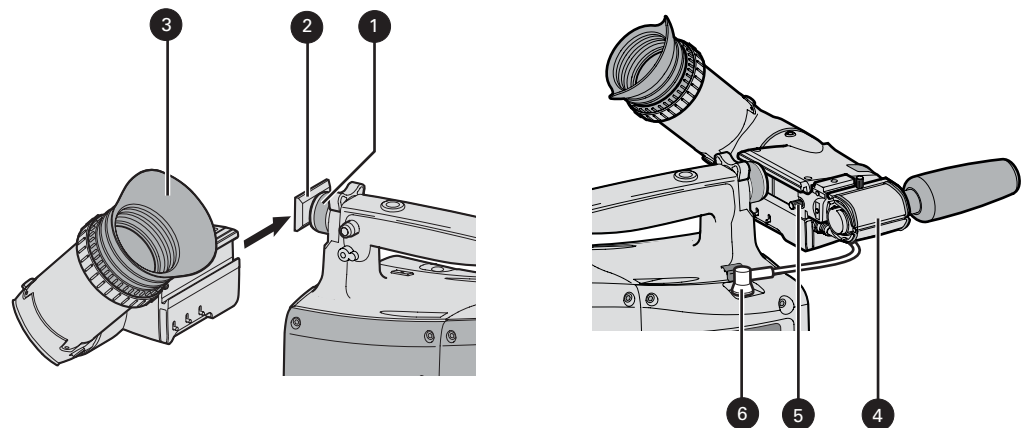


Note

Always fit the microphone holder as it functions as a safety stop for the viewfinder.

6. To improve the comfort of the skin contact when using the viewfinder, fit the eye piece cover (3) to the rubber eyepiece. Spare eye piece covers (ordering number 3922 405 00461) are available via your Grass Valley representative.

Figure 2-2. Viewfinder mounting



2.2.2 Positioning the viewfinder

The horizontal position of the viewfinder can be adjusted as follows to suit your requirements:

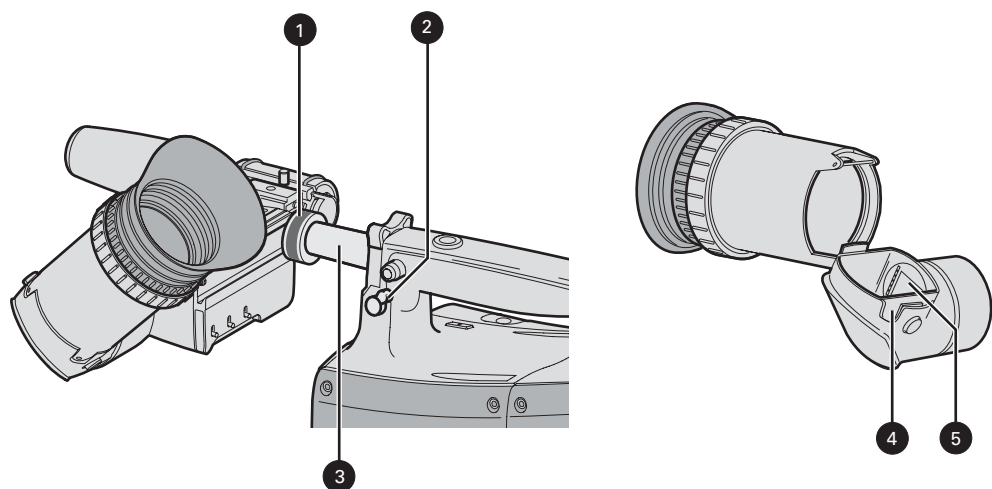
1. Loosen the locking ring (1). (As seen from the rear of the camera, turning the locking ring counterclockwise moves it towards the handgrip.)
2. Slide the viewfinder horizontally along the rail to the desired position.
3. Tighten the locking ring (1) by turning clockwise.

The dioptre hood and eyepiece of the viewfinder can be rotated vertically.

The viewfinder can be positioned backwards and forwards along the camera axis. Loosen the support bracket round bar retaining lever (2) and slide the round bar (3) forwards or backwards. When the desired position is reached tighten the support bracket round bar retaining lever (2) again.

To use the viewfinder at a distance press the button (4) below or above the eyepiece tube and swing it free of the associated clip (5). The display can now be seen from further away.

Figure 2-3. Viewfinder positioning



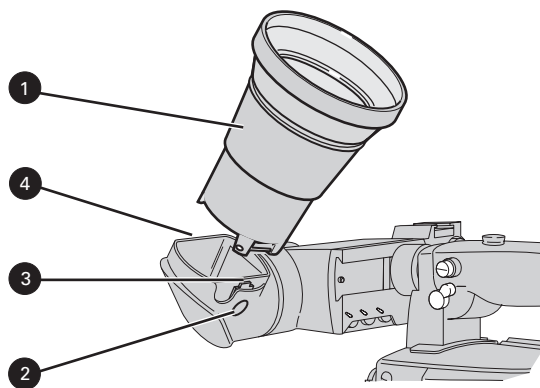
2.3 2-inch viewfinder accessories

2.3.1 LDK 5390/00 Wide angle eyepiece

If you regularly use the viewfinder at a distance, for example, when you use the camera in the hand-held position, it is recommended that you fit the optionally available wide angle eyepiece. To fit the wide angle eyepiece proceed as follows:

1. Hold the eyepiece (1) securely.
2. Press the button (2) below the eyepiece tube and swing it free of the button clip (3).
3. Press the button (4) above the eyepiece tube and remove the eyepiece.
4. Fit the wide angle eyepiece (1) to the two clips (3) ensuring that they both click into place.

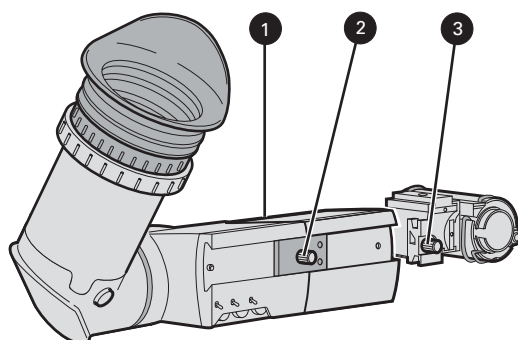
Figure 2-4. Viewfinder wide angle eyepiece



2.3.2 LDK 5390/10 Left eye adaptor

A left eye adaptor is optionally available to allow the viewfinder to be used with the left eye. Before mounting the viewfinder onto the camera, attach the left eye adaptor (1) to the viewfinder and secure it using the screw (2). Do not forget to mount the microphone support bracket (3) at the end of the left eye adaptor.

Figure 2-5. Viewfinder left eye adaptor



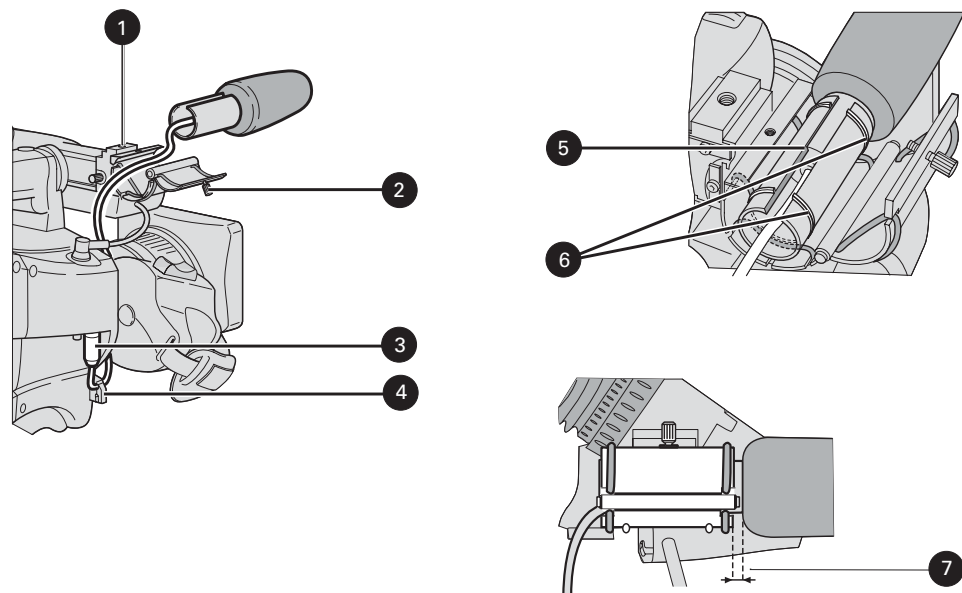
2.4 AJ-MC700 Microphone

To attach the optional microphone to the camera proceed as follows:

1. Open the microphone holder by unscrewing the knurled screw (2) of the microphone support bracket (1) on the viewfinder and open.
2. Slide the microphone into the split tube until the microphone shoulder reaches the mark (5) in the tube.
3. Place the tube with the microphone into the holder with the split facing upwards. Mount the microphone as straight as possible.
4. Ensure that the rubber supports at the back and front of the holder fit into the rims (6) around the tube.
5. Close the holder and tighten the knurled screw at the top. Don't allow the wind hood to touch the holder (7) as this reduces the damping effect.
6. Connect the microphone cable to the **MIC** audio connector (3) on the right side of the camera. To avoid mechanical pick-up, do not let the microphone cable touch the holder.
7. Place the microphone cable into the top clip at the front of the camera and into clip (4) at the side of the camera. (Pull and twist clip to open it.)

Other microphones with a diameter of 21 mm can also be used, however, ensure that the sensitivity of the input that match that type of microphone are correctly selected in the camera **INSTALL** menu. When a longer microphone is used, it is not necessary to place it in the split tube. Phantom power is always present on the front microphone socket.

Figure 2-6. Microphone mounting



2.5 LDK 5301/10 Tripod adaptor plate

To mount the camera on a tripod, the tripod plate must first be attached to the tripod. Follow the tripod manufacturer's instructions to mount the wedge plate supplied with the tripod and the tripod adaptor plate firmly onto the tripod. Attach the camera to the tripod adaptor plate as follows:

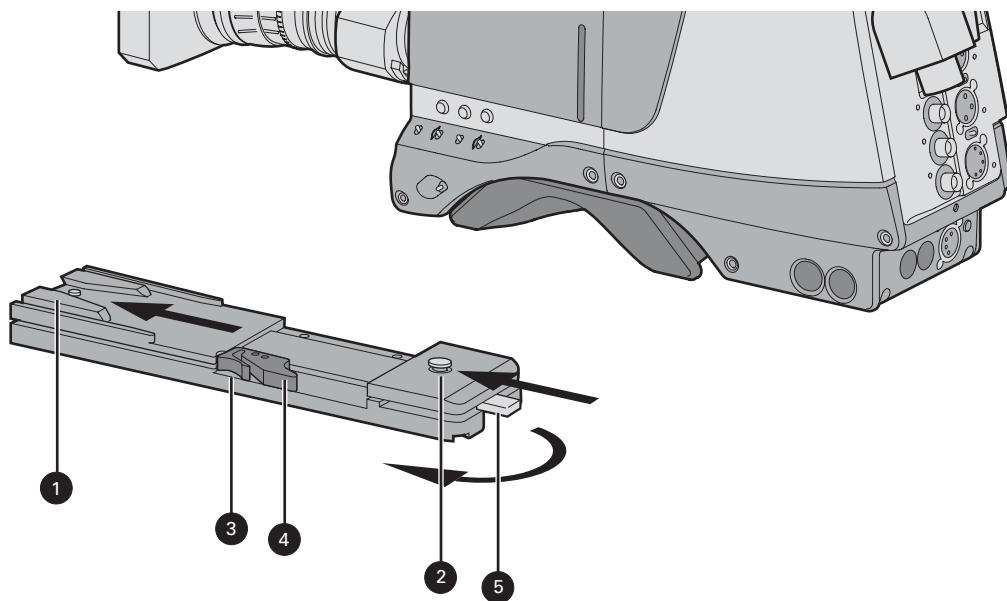
1. Slide the camera horizontally along the tripod adaptor plate from back to front ensuring that the front of the camera engages the v-slot (1) at the front of the tripod adaptor plate, and that the slot on the bottom of the camera engages the stud (2) at the rear of the tripod adaptor plate.
2. Firmly push the camera forward until it clicks into place.
3. When the camera is mounted firmly, the locking lever (5) swings around fully to the rear of the plate. If the lever does not travel the full distance, you should manually lock it into place.



Caution

Failure to attach the camera to the tripod adaptor plate in the correct manner could result in an unsecured camera. Ensure that the rear stud (2) is engaged and that the camera clicks into place.

Figure 2-7. Tripod adaptor plate



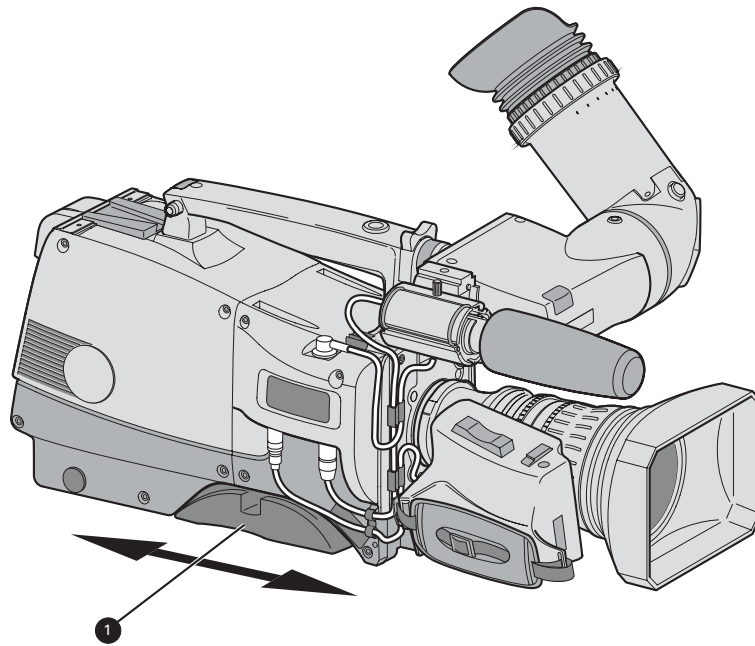
Remove the camera from the tripod as follows:

1. Open the locking lever (5) to free the rear stud (2).
2. Press and hold the red locking lever (3) against the release handle (4).
3. Ensure that you have a firm hold of the camera.
4. Pull the release handle (4) forward.
5. Move the camera backwards and up.

2.6 Adjusting the shoulder pad

To change the position the shoulder pad press and hold lever (1). The shoulder pad can now be moved backwards and forwards along the axis of the camera. Adjust the shoulder pad when all units have been mounted to get the best balanced shoulder position.

Figure 2-8. Shoulder pad



2.7 Exchanging the camera adaptor

**Caution**

Be extremely careful with the connectors between the camera head and the adaptor. Do not allow the metal guide pins to damage the pins of the connector.

**Caution**

Follow the indicated steps in the order given below. Tightening or loosening the screws in the wrong order could result in mechanical damage to the camera.

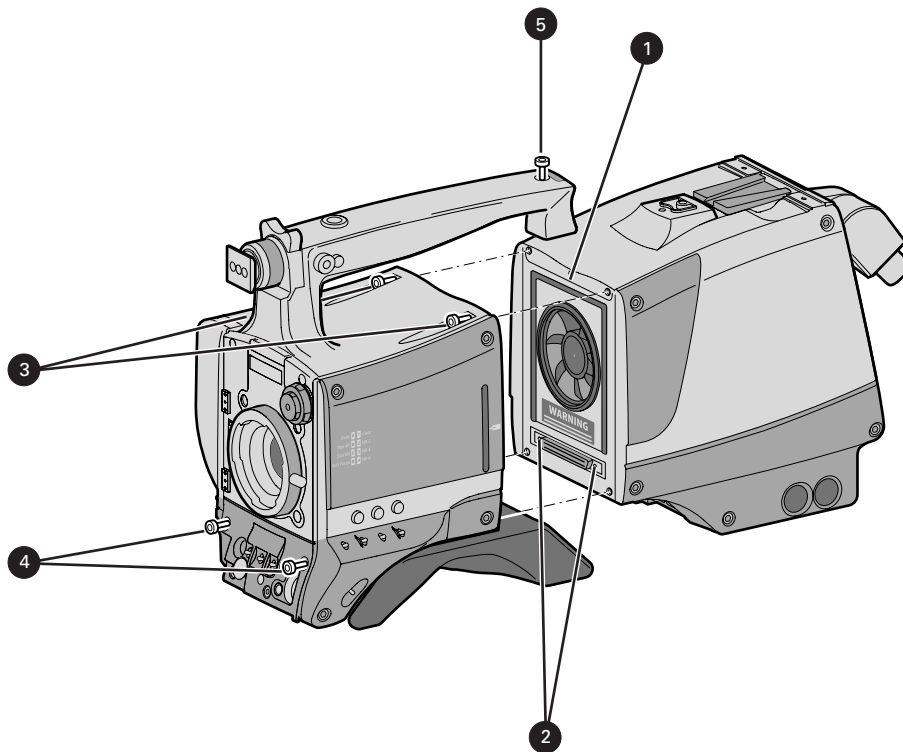
**Caution**

Exchange the adaptor in a safe area, preferably indoors. Make sure your working area is clean and dust free.

To detach the adaptor from the camera head proceed as follows:

1. Unscrew the vertical screw (5) in the handgrip of the camera head.
2. Unscrew the two horizontal screws (4) at the front of the camera head.
3. Unscrew the two horizontal screws (3) at the top of the camera head.
4. Carefully disconnect the adaptor from the camera head.

Figure 2-9. Exchanging the camera adaptor



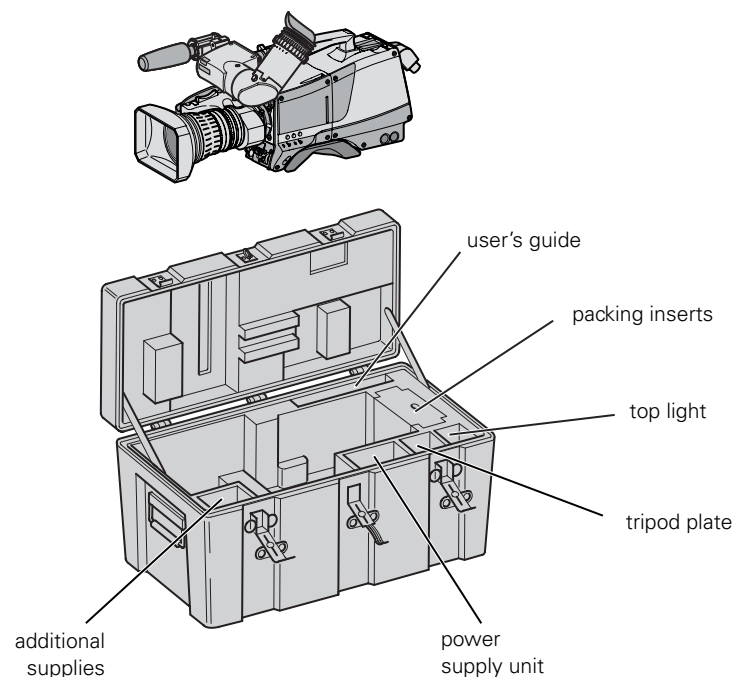
To attach the adaptor to the camera head proceed as follows:

1. Fit the guide pin at the top rear of the camera head and the guide pins on either side of the camera connector into the corresponding slots (1 and 2) of the adaptor.
2. First, tighten the two horizontal screws (3) on the top of the camera head.
3. Next, tighten the two horizontal screws (4) at the front of the camera head.
4. Lastly, tighten the vertical screw (5) in the handgrip of the camera head.

2.8 LDK 5020/05 Universal transport case

Both your camera and its accessories are sensitive equipment, so it is important to protect these against damage when transporting it. To do this, a universal transport case is optionally available for the camera, lens, viewfinder and some accessories.

Figure 2-10. Universal transport case



The camera is packed in the case as shown in the figure above. This ensures that the camera is not damaged during transport. Turn the LDK5302/60 2-inch viewfinder downwards so that it does not protrude above the top of the camera.

Several foam packing inserts are provided to enable different configurations of the camera to be packed securely. These inserts are used to support the rear of the camera. Make sure you use the correct foam inserts for your particular configuration.



Caution

To prevent damage always detach the lens from the camera head before transporting.

2.9 Packing for return

If a unit is being returned to Grass Valley for servicing, try to use the containers and materials of the original packaging. Attach a tag indicating the type of service required, return address, model number, full serial number and the return number which will be supplied by your Grass Valley service centre.

If the original packing can no longer be used, the following general instructions should be used for repacking with commercially available materials:

1. Wrap unit in heavy paper or plastic.
2. Use strong shipping container.
3. Use a layer of shock-absorbing material around all sides of the unit to provide firm cushioning and prevent movement inside container.
4. Seal shipping container securely.
5. Mark shipping container FRAGILE to ensure careful handling.

Chapter 3

Configurations

3.1 HD Fiber configuration

The HD Fiber system allows video transmission and remote control of cameras up to a distance of 4,000 m (13,200 ft) and beyond, using industry standard fiber optic cable. It is based on 30 MHz full-bandwidth 4:2:2 transmission (Y/Cr/Cb components).

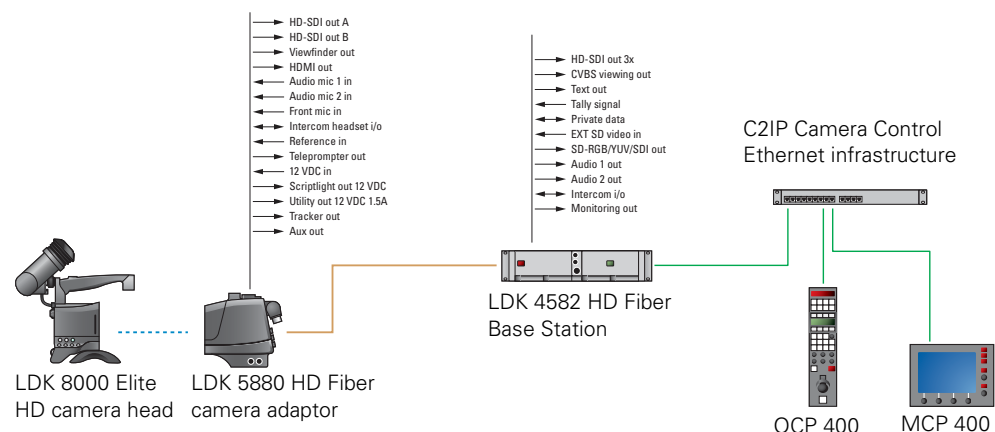
A camera head with the LDK 5880 HD Fiber adaptor is connected to an LDK 4582 HD Fiber Base Station using a fiber optic cable. The maximum length of cable that can be used without significant degradation of the video signal is 4,000 m (13,200 ft).

The double side band modulation technique used in combination with Y/Cr/Cb transmission ensures linearity, resolution and an optimal signal-to-noise ratio over the maximum cable length. Bandwidth efficient channel combining and equalization techniques minimize cross-talk and interference. Teleprompter and viewfinder signals maintain high performance with relatively long cable lengths.

The communication facilities provide for two-wire or four-wire high quality intercom signals. Full camera control is provided via a C2IP Ethernet-based control network.

The power supply is applied to the Base Station and via the hybrid fiber optic cable to the camera. An OCP 400 operational control panel can be connected directly to the Base Station using a cross-over Ethernet cable.

Figure 3-1. Camera in HD Fiber mode



3.2 TriaxHD configuration

TriaxHD, which is a further development of the Emmy Award winning Triax transmission system, makes the camera compatible with industry standard Triax cables. This allows the reuse of existing, reliable and valuable cable inventories.

A camera head with the LDK 5861 TriaxHD adaptor is connected to an LDK 4502 TriaxHD Base Station using a Triax cable. The maximum length of cable that can be used without significant degradation of the video signal is 1,200 m (4,000 ft) for a 14 mm (0.55 in) Triax cable.

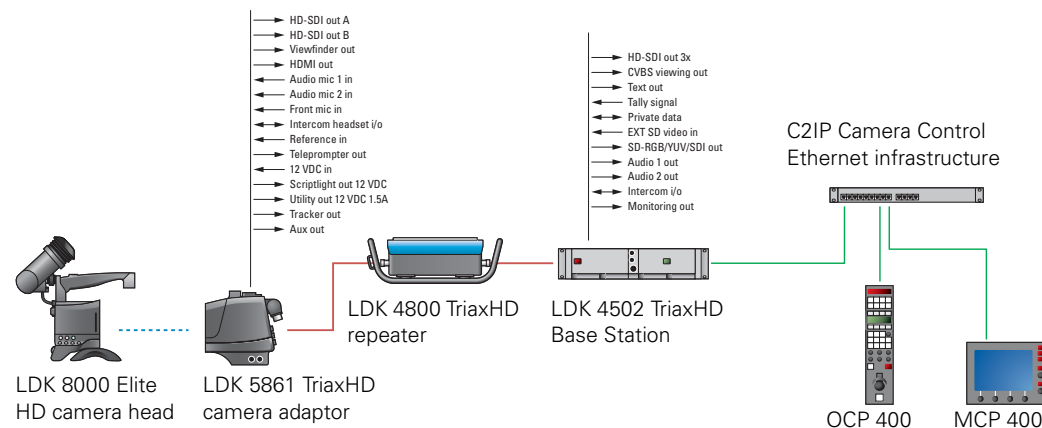
TriaxHD allows video transmission and remote control of cameras up to a distance of 1,200 m (4,000 ft) and beyond, using industry standard 14 mm (0.55 in) Triax cables. It is based on 30 MHz full-bandwidth 4:2:2 transmission (Y/Cr/Cb components).

The double side band modulation technique used in combination with Y/Cr/Cb transmission ensures linearity, resolution and an optimal signal-to-noise ratio over the maximum cable length. Bandwidth efficient channel combining and equalization techniques minimize cross-talk and interference. Teleprompter and viewfinder signals maintain high performance with relatively long cable lengths.

The communication facilities provide for two-wire or four-wire high quality intercom signals. Full camera control is provided via a C2IP Ethernet-based control network.

The power supply is applied to the Base Station and via the Triax cable to the camera. An OCP 400 operational control panel can be connected directly to the Base Station using a cross-over Ethernet cable.

Figure 3-2. Camera in TriaxHD configuration



Triax cable lengths

The approximate maximum cable lengths between a Base Station and a camera are given in the table below. The signal degrades gradually when these lengths are exceeded. Reduce these lengths by approximately 20% when a teleprompter signal is sent to the camera.

The maximum length is given for cables of the highest quality. The quality of some cables and the number of connections can adversely affect this maximum length.

Cable diameter	Max. length (w/o repeater)	Max. length (w. repeater)
8 mm (0.33 in)	500 m (1,640 ft) *)	1000 m (3,280 ft) *)
11 mm (0.43 in)	700 m (2,300 ft)	1,400 m (4,600 ft)
14 mm (0.55 in)	1,200 m (4,000 ft)	2,400 m (8,000 ft)

*) The maximum cable length for 8 mm Triax is adversely influenced by the power consumption of the camera.



Tip

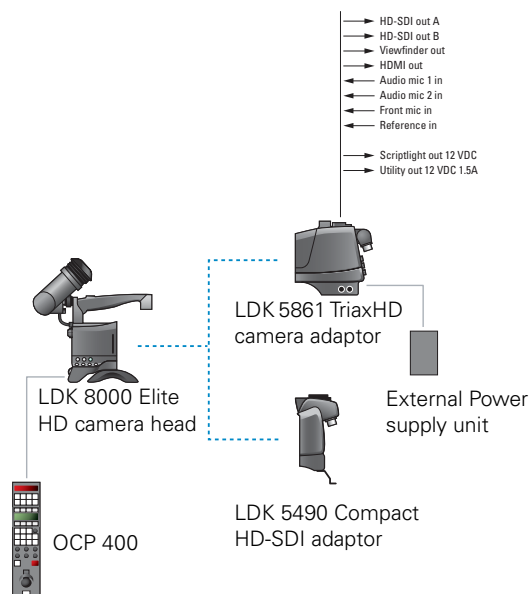
An LDK 4800 TriaxHD Repeater can be used to extend the maximum length of the Triax connection.

3.3 Stand-alone configuration

A camera head with the LDK 5861 TriaxHD or LDK 5490 HD-SDI adaptor can be used in the stand-alone mode i.e. without a Base Station. The DC power supply is applied directly to the adaptor. An OCP 400 operational control panel can be connected directly to the camera head using an RS232 connection. A reference signal can be applied to genlock the camera.

The HD SDI (B) / VF connector at the rear carries the HD-SDI viewfinder signal. The HD-SDI (A) connector carries the HD-SDI camera signal.

Figure 3-3. Camera in stand-alone mode



3.4 HD Wireless configuration

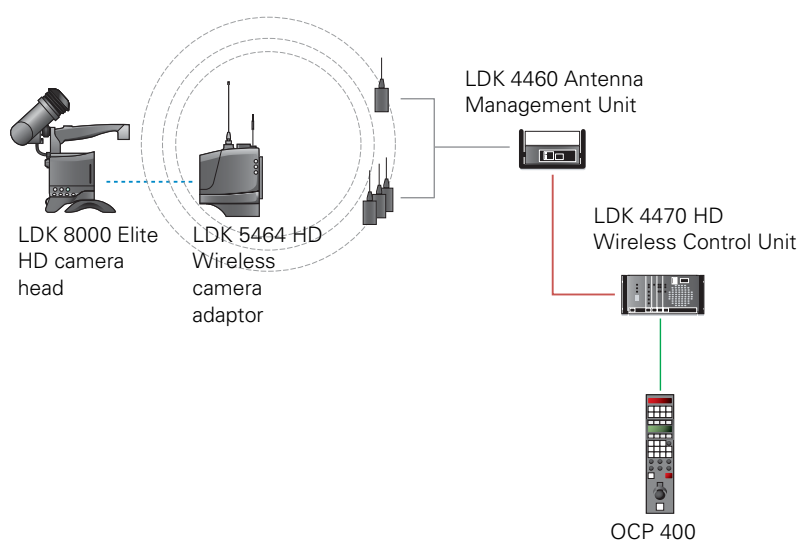
The HD Wireless transmission system consists of a Wireless Camera adaptor that docks to the camera head, an RF emitter/receiver set and an Antenna Management Unit. From the AMU, a Triax connection brings all signals to and from the Wireless Control Unit that provides both power and interfacing to the studio system.

For compression, the HD Wireless system uses state-of-the-art JPEG 2000 technology with a 10-bit, end-to-end signal. You can use intra-field or spatio-temporal compression. What's more, there is no MPEG-style group of pictures (GOP). Consequently every frame is of the same high quality for postprocessing and editing.

For transmission, this bi-directional system provides genlock and full control of the camera in the same way as with a Triax cable system. Coupled with a high bit-rate protocol (based on the 802.16 physical layer), it features low latency, enabling you to integrate wireless shots into your production with imperceptible video-to-audio delay.

This HD wireless transmission system extends the HD camera head to form an HD Digital Wireless Camera system. The camera head with the attached LDK 5464 Wireless Camera adaptor communicates wirelessly with the LDK 4460 Antenna Management Unit. The Antenna Management Unit is connected to the LDK 4470 Wireless Control Unit via a Triax cable.

Figure 3-4. Camera in HD Wireless configuration



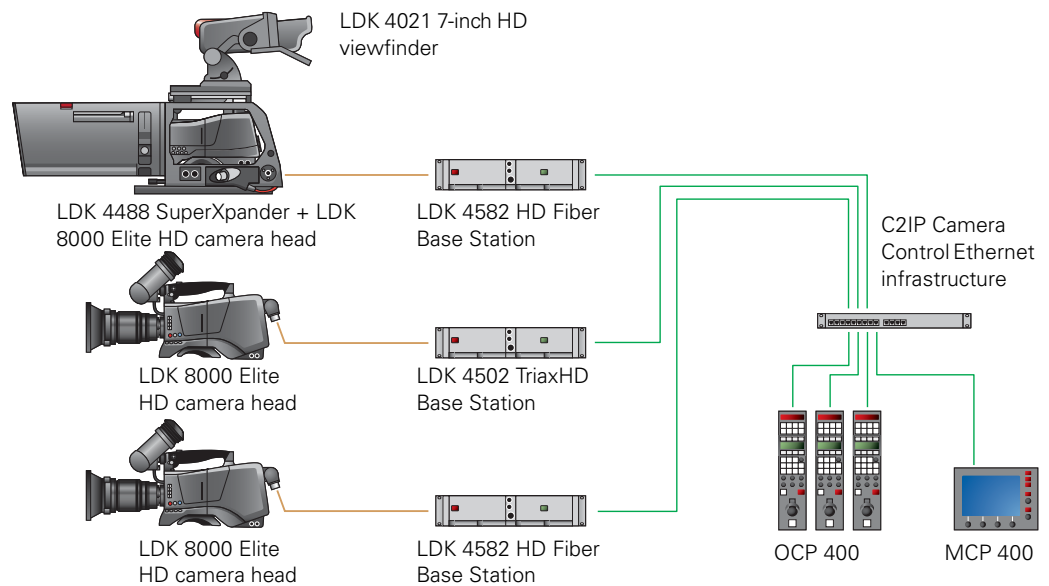
Note

Refer to the user's guide for the HD Wireless system for more information about setting up and operating the wireless transmission connection.

3.5 Multiple camera configuration

The Base Stations are each connected to a network hub or router via an Ethernet cable (straight through, not cross-over). The OCP 400 operational control panels and, if required the MCP 400 Master Control Panel, are also connected to the Ethernet network via a hub or router.

Figure 3-5. Multiple cameras in C2IP network



LDK 4488 SuperXpander and LDK 4489 Xpander

A camera head with an LDK 5880 HD Fiber or an LDK 5861 TriaxHD adaptor can be mounted in the LDK 4488 SuperXpander (or in the LDK 4489 Xpander). This enables large box lenses to be used with the camera. The LDK 4021 7-inch CRT or LDK 4025 8-inch LCD viewfinder can be mounted on the SuperXpander.

The camera with the adaptor connects to the SuperXpander via a flying lead. The power supply for the camera is supplied via this lead. The SuperXpander is connected to the HD Fiber or TriaxHD Base Station using a transmission cable. This configuration can be powered either:

- from the Base Station via the hybrid fiber or TriaxHD cable, or
- locally with the mains power supply connected directly to the SuperXpander.

To control the configuration an OCP 400 operational control panel can be connected directly to the Base Station using a cross-over Ethernet cable. The Base Station is powered by a mains power supply.


Chapter 4

Operating instructions

4.1 Using the camera

Attach a lens, viewfinder, microphone and any other accessories to the camera. Attach the hybrid Fiber, Triax or HD-SDI cable and/or supply the adaptor with power.

4.1.1 Switching on the power

1. On the Base Station set the master power switch to the on position (I). The green power light lights.
2. Set the camera **Power** switch of the camera to the on position .
3. Allow a few moments for the camera to perform a self-test and for the system to establish communications.



Note

To switch the camera to stand-by, set the **Power** switch of the camera to the  position.

4.1.2 Controlling the camera

There are several ways of controlling the camera:

- Using a Master Control Panel MCP 400 connected to the C2IP network or Base Station.
- Using an Operational Control Panel OCP 400 connected to the C2IP network or Base Station.
- Using the switches on the camera itself.
- Using the menu system to select functions.



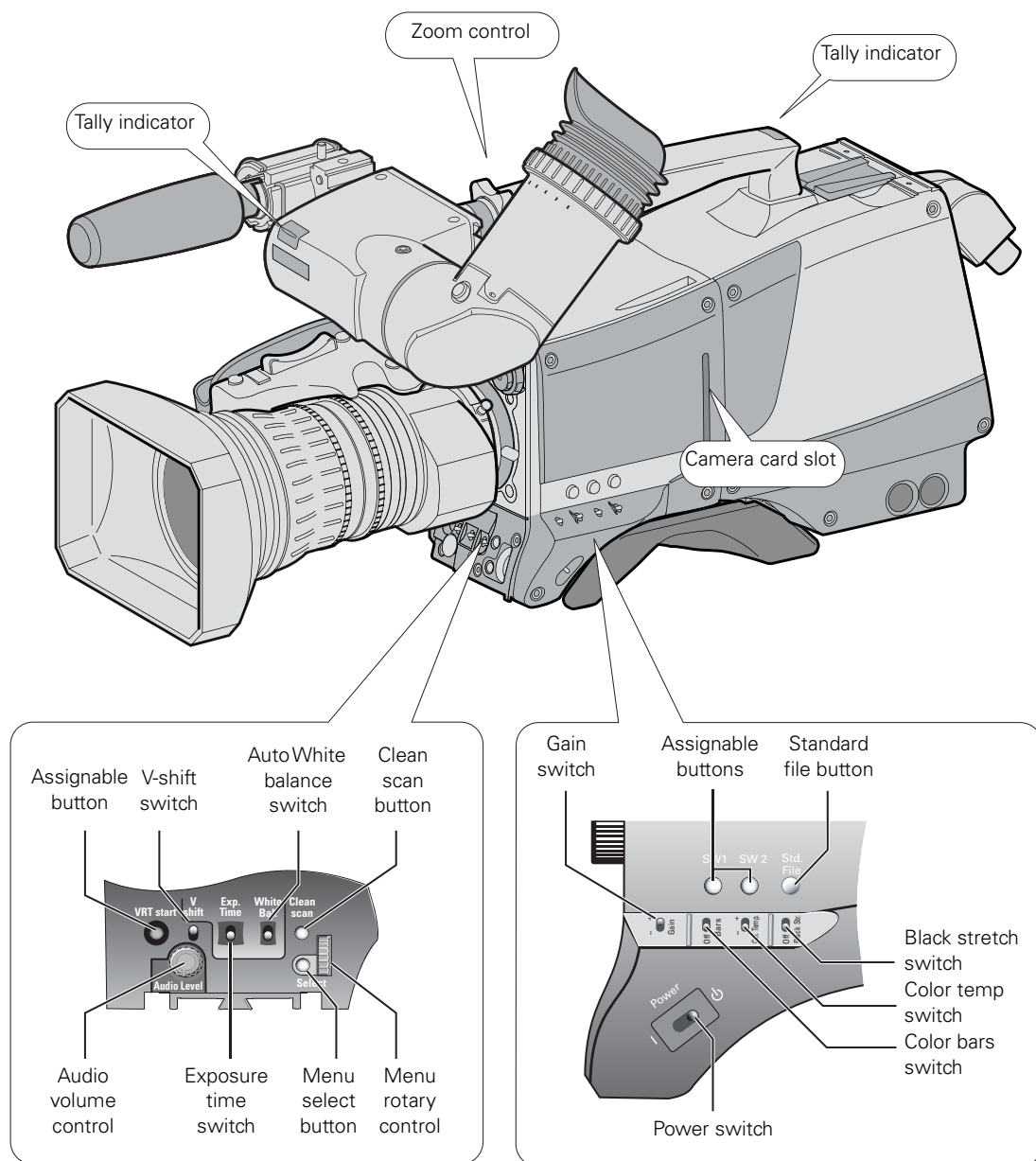
Note

If you cannot access some camera functions or you wish to restrict access, refer to ["Access and security" on page 53](#).

4.2 Location of controls

4.2.1 Camera head controls

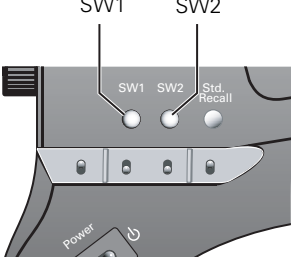
Figure 4-1. Camera head controls



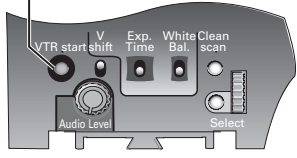
4.3 User buttons

The camera head has four assignable buttons, two on the side panel (SW1) and (SW2), one on the lower front panel (VTR start) and one under the handgrip. The operation of the RET and the VTR button on the lens can also be assigned. The function and behaviour (momentary or alternating) of these buttons are set in the **INSTALL > BUTTONS** menu.

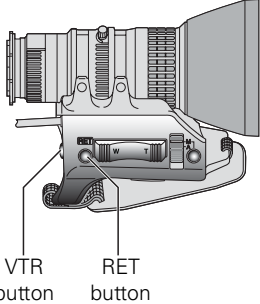
Side panel

 <p>SW1 SW2</p> <p>SW1 SW2 Std. Recall</p> <p>Power</p>	SW1	<ul style="list-style-type: none"> • Intercom Call (Call) • Switch to external video signal 1 (Ext1) • Switch to external video signal 2 (Ext2)
	SW2	<ul style="list-style-type: none"> • Extended Auto Iris (Elris) • Focus Assist (FocAst) • Switch to external video signal 1 (Ext1) • Switch to external video signal 2 (Ext2)

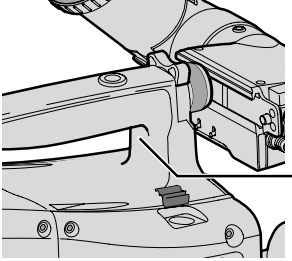
Front

 <p>VTR Start</p> <p>VTR start shift V Exp. White Clean Time Bal. scan</p> <p>Audio Level Select</p>	VTR Start	<ul style="list-style-type: none"> • Production intercom (Prod) • Engineering intercom (Eng) • Viewfinder zoom (Zoom) • Switch to external signal 1 (Ext1) • Switch to external signal 2 (Ext2)
---	-----------	--

Lens

 <p>VTR button RET button</p>	VTR button	<ul style="list-style-type: none"> • Production intercom (Prod) • Engineering intercom (Eng) • Viewfinder zoom function (Zoom) • Switch to external video signal 1 (Ext1) • Switch to external video signal 2 (Ext2)
	RET button	<ul style="list-style-type: none"> • Viewfinder zoom function (Zoom) • Switch to external video signal (Ext)

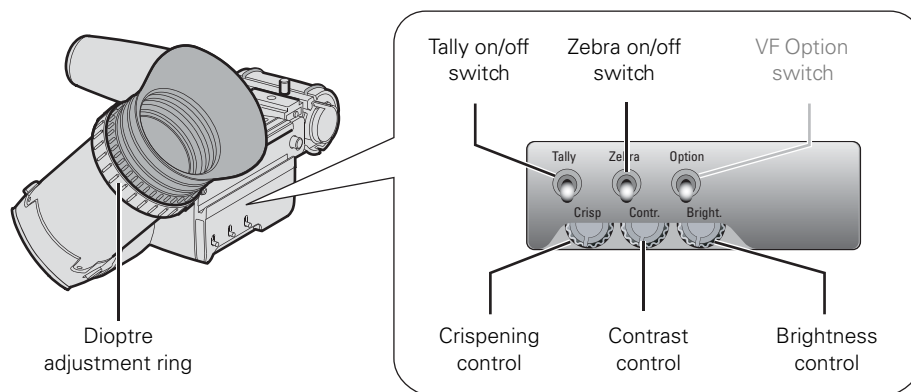
Handgrip button

 <p>Left handgrip button</p>	Left button	<ul style="list-style-type: none"> • Production intercom (Prod) • Engineering intercom (Eng) <p>(the right handgrip button is always assigned to switch to external video signal)</p>
---	-------------	---

4.4 Viewfinder preferences

Set up the viewfinder according to your own preferences; adjust viewing parameters, select markers, message boxes and on-screen display times in the VF menu.

Figure 4-1. Viewfinder controls



4.4.1 Tally on/off switch

The red Tally indicators at the front of the viewfinder and at the rear of the handgrip light to indicate that the camera is On Air. The **Tally switch** is used to control the Tally indicators at the front of the viewfinder and the rear of the handgrip. When this switch is set to the **Off** position, the **Tally indicator** does not light even when the camera is On Air.

When the camera is On Air, the **REC indicator** in the viewfinder lights. When the studio ISO signal is received, the **MEDIA indicator** lights.

4.4.2 Zebra (exposure indication)

The Zebra function displays a zebra pattern in the viewfinder in areas where highlights occur. This diagonal line pattern warns you that the area affected has risen above a preset level of the full scale video exposure. Go to the VF > ZEBRA menu to turn Zebra on or off and to set the video levels at which the Zebra function works.

4.4.3 VF Option switch

Not used.

4.4.4 Viewfinder picture quality

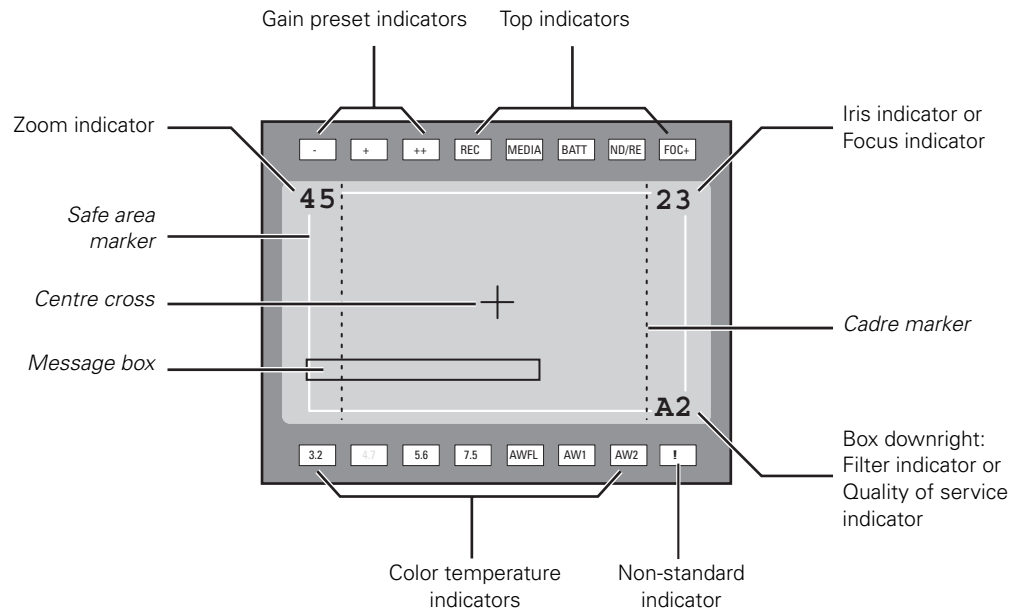
Adjust the **Brightness** and **Contrast** controls according to your preferences. If you wish, use the **Crispensing (peaking) control** to adjust the sharpness of the viewfinder picture (reduce the crispensing when the gain is set to +++).

4.4.5 Dioptre adjustment

The dioptre of the viewfinder can be adjusted to suit your eyesight by turning the **Dioptre adjustment ring**. The range of the dioptre is +1 to -3.

4.4.6 Viewfinder markers and indicators

Figure 4-2. Viewfinder markers and indicators



Screen markers

Go to the ∇F menu to select the markers you wish to see in the viewfinder screen. The following markers can be set up:

Marker	Description
<i>Cadre marker</i>	A dotted white line or a shaded area that shows the limits of a 4:3 (15:9 or 14:9) picture.
<i>Safe area marker</i>	Encloses an area that represents 80% of the whole viewfinder picture area. This is the minimum area seen on a TV-set.
<i>Message box</i>	Displays information messages.
<i>Centre cross</i>	Marks the centre of the picture

Screen indicators

Go to the **VF** menu to select the indicators you wish to see in the viewfinder screen. The following indicators can be set up:

Indicator	Description
Zoom indicator	Indicates the percentage to which the lens has been zoomed out or in, ranging from 0 (wide angle) to 99 (telezoom). It shows 50 if the lens does not support this feature.
Iris indicator	Indicates the iris opening (F -value) of the lens. Typical range is 1.4 to 25. Displays 'Closed' when the lens is closed or capped.
Focus indicator	Indicates the percentage of the focus distance range from 0 (close-up) to 99 (infinity).
Filter indicator	Indicates the selected optical filter.
Quality of Service indicator	When an HD Wireless system is in use, this indicator shows the quality of the transmission link between the wireless camera and the WCU.



Note

Either the Iris indicator or the Focus indicator can be displayed in the viewfinder. When one of the indicators is turned on, the other is automatically turned off.



Note

When using an HD Wireless system Go to the **VF > BOX DOWNRIGHT** item to select the Filter or the Quality of Service indicator to be displayed in the viewfinder screen. You can also switch off the indicator.

Gain preset indicators

The gain preset indicators at the top of the viewfinder light as follows:

Indicator	Function
-	Gain is - (-6 dB or -3 dB)
off	Gain is 0 dB
+	Gain is + (3 dB, 6 dB or 9 dB)
++	Gain is ++ (6 dB, 9 dB or 12 dB)
+ and ++	Gain is +++ (12 dB)

Top indicators

The top indicators provide status information about the camera:

Indicator	Function
REC	lights when the camera is On Air
MEDIA	lights when studio ISO recording has started
BATT	lights if the camera supply voltage is less than 11.5 V (when using an external supply).
ND/RE	lights when an ND optical filter or the range extender is selected.
FOC+	lights when the focus assist function is on.

Color temperature indicators

The color temperature indicators light as follows:

Indicator	Function
3.2	lights when preset temperature of 3200 K is selected
5.6	lights when preset temperature of 5600 K is selected
7.5	lights when preset temperature of 7500 K is selected
AWFL	lights when a memory for fluorescent light (FL50 or FL60) is selected
AW1	lights when auto white balance memory 1 is selected
AW2	lights when auto white balance memory 2 is selected

Non-standard indicator (!)

The non-standard video settings indicator (!) lights when one of the following conditions occur:

- exposure time is not set to the nominal value;
- black stretch is on;
- extended auto iris is on;
- AWC (continuous automatic white balance) or FL color temperature is on.

4.4.7 Focussing

A focus assist function can be switched on or off in the **VF** menu. This function adds motion in the viewfinder to objects in sharp focus. The **FOC+ indicator** in the viewfinder lights when this function is on.

The viewfinder zoom function is another feature that helps you focus. This function enlarges the centre of the viewfinder image. Choose one of the following buttons and the way it operates (momentary or toggle) to control this function in the **INSTALL** menu:

- The VTR button on the camera,
- The VTR button on the lens,
- The RET switch on a zoom control when a large lens adaptor is used.

When the viewfinder zoom function is in use, many of the viewfinder markers are switched off to improve the clarity of the display. The **FOC+ indicator** in the viewfinder flashes when the viewfinder zoom function is active.

4.5 Lens operation

When you fit a lens to the camera you may need to adjust the back focus. Refer to the lens manufacturer's instructions to find out how to do this. The **LENS** menu allows you to choose and, if necessary, adjust other parameters to suit your lens type and your personal preferences.

4.5.1 Auto iris

If required, switch on the auto iris function in the **LENS** menu. You can also select the parameters associated with Auto and Momentary iris in this menu.



Note

When your lens has an auto iris switch, make sure it is set to the **On** position.

4.5.2 Extended auto iris

The extended auto iris function automatically regulates the video signal level by adjusting the iris opening, the gain level and the exposure time to suit the ambient lighting conditions.



Note

Make sure that the **SW2** button is assigned to **Elris** (Extended Auto Iris) in the **INSTALL > BUTTONS > SW2** menu.

To switch on the extended auto iris function use the assignable button **SW2** at the left-front side of the camera. When this button is pressed once, the current value of the automatic extended auto iris function is displayed. Press the button twice in quick succession to toggle between on and off.

When extended auto iris is on, the **Non-standard indicator** in the viewfinder lights, and gain and exposure controls are blocked. The parameters for the extended auto iris function can be set in the **LENS** menu.



Tip

Use Extended Auto Iris to keep a constant depth of field while shooting.

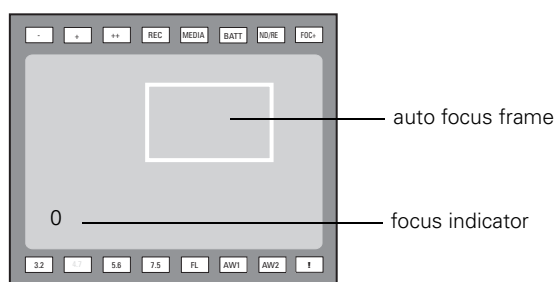
4.5.3 Precision focus



Note

Set the Lens I/F to **digital** in the LENS menu before using precision focus.

The camera supports the precision focus feature which is offered by some advanced (digital) lenses. This system automatically focuses the image within a user defined focus frame on the screen. When precision focus is enabled on the lens, the focus frame is superimposed on the viewfinder image. The frame can be moved and resized by the controls on the lens or on the focus handle.



An indicator in the bottom left corner of the viewfinder screen shows the current focus information:

Indication	Focus information
--	focus is behind
-	focus is behind
0	area is in focus
+	focus is in front
++	focus is in front

Refer to the documentation of the lens manufacturer for more information about the precision focus feature.

4.5.4 Lens indicators in the viewfinder

The **ND/RE indicator** in the viewfinder lights when a lens Range Extender is selected.

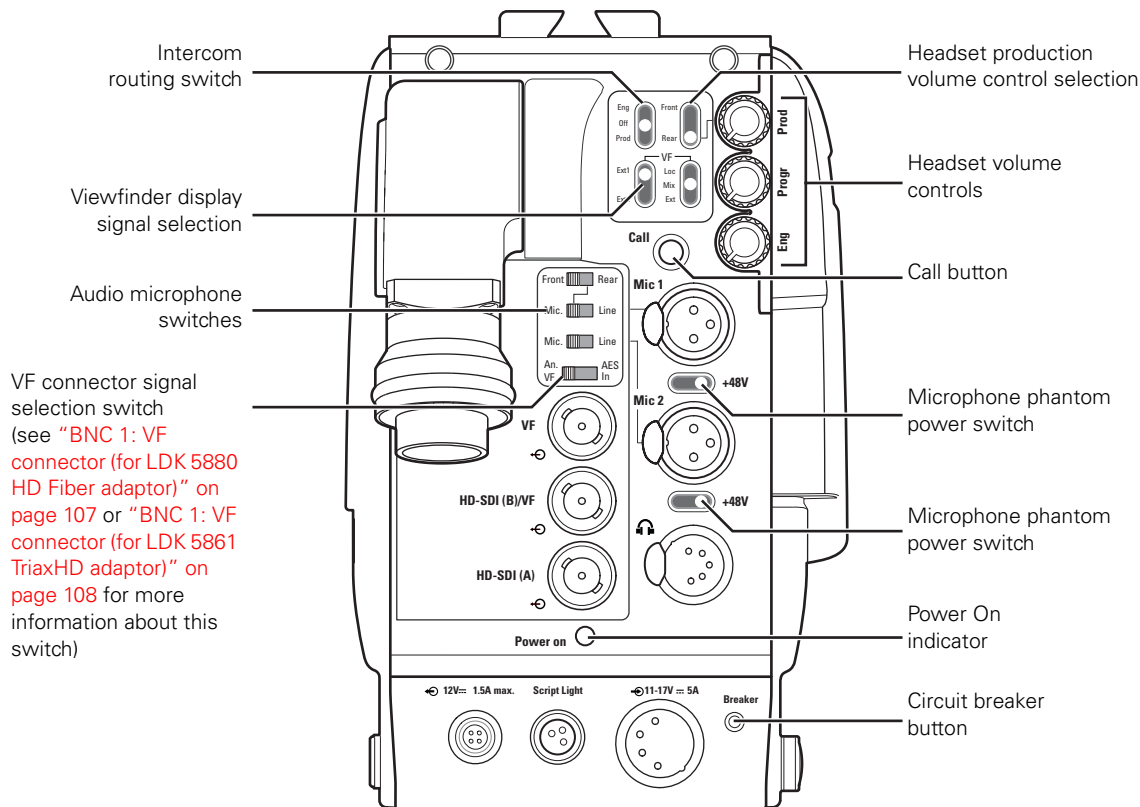
The **Iris indicator** in the viewfinder shows the value of the iris opening (when enabled in the VF menu).

The **Zoom indicator** in the viewfinder shows the percentage to which the lens has been zoomed out or in, ranging from **0** (wide angle) to **99** (telezoom). It shows **50** if the lens does not support this feature.

The **Focus indicator** shows the percentage of the focus distance range from 0 (close-up) to 99 (infinity). This feature is only available when a digital lens is used.

4.6 Controls on the TriaxHD and HD Fiber adaptor

Figure 4-2. TriaxHD and HD Fiber adaptor controls



4.6.1 Powering the camera

The power supply for the camera and its adaptor is normally supplied via the Triax or hybrid fiber cable from the Base Station. The Power On indicator lights when power is supplied and the camera power switch is set to the on position **I**.

When power is supplied via the Triax or hybrid fiber cable, an output power socket supplies +12 VDC, 1.5 A maximum for powering accessories.

It is also possible to operate the camera without a Triax or hybrid fiber cable by supplying a +12 VDC supply to the DC input socket. The BATT indicator in the viewfinder lights if the camera supply voltage is less than 11.5 VDC when using an external supply.

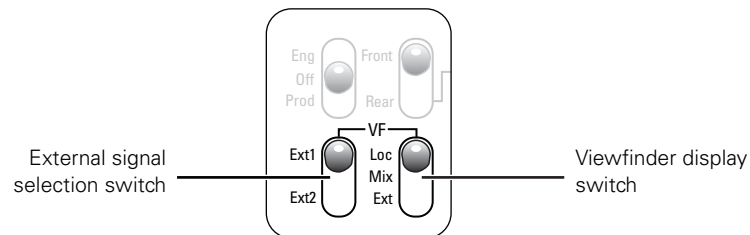
If excessive current flows in the camera or adaptor, the circuit breaker trips and shuts off power to all the units. If this happens check the units for faults and if necessary take corrective actions before pressing the circuit breaker button to reset the power.

4.6.2 Selecting monitoring signals

Viewfinder display signal

The viewfinder can display local (from camera) or external (from Base Station) video. Two switches at the back of the adapter determine the signal that is displayed in the viewfinder.

Figure 4-3. Viewfinder signal display switches



The viewfinder display switch determines how the local and external signals are displayed in the viewfinder:

- Loc: displays the local signal (Y only) in the viewfinder,
- Mix: displays a mix ($-\frac{1}{2}A + \frac{1}{2}B$) of the local (Y only) and external signal or
- Ext: displays the external signal in the viewfinder

When the viewfinder display switch is set to **Mix** or **Ext**, the external signal selection switch determines which external signal from the Base Station is displayed in the viewfinder:

- Ext1: displays external signal Ext1 or
- Ext2: displays external signal Ext2 (or Ext3, see note below).



Note

On the LDK 5880 HD Fiber adaptor an extra external video channel is available. Go to the **INSTALL > BUTTONS > EXT2 ASSIGN** menu and select Ext3 to use the Ext3 channel instead of Ext2.

4.6.3 Using audio

Analog audio channels

Set the gain levels (-22 to -64 dB) for these channels in the **AUDIO** section of the **INSTALL** menu. A high-pass filter for each channel can also be switched on via this menu.

The channel 1 input socket selection switch selects either:

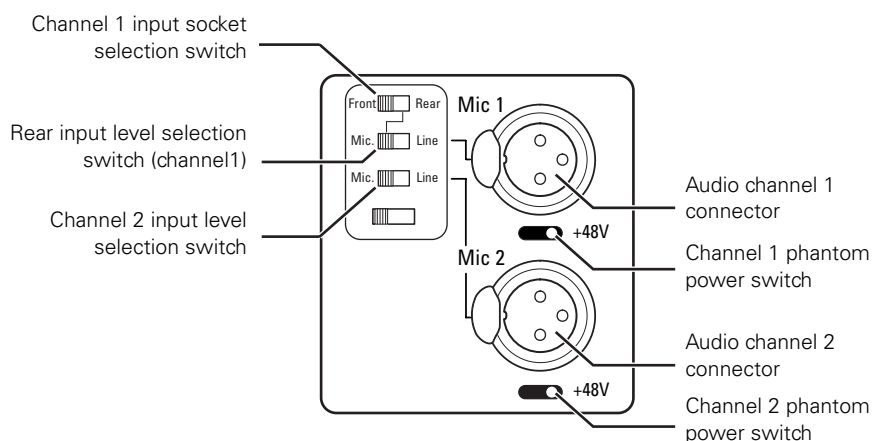
- the socket at the front-right of the camera, or
- the **Mic 1** audio channel 1 connector at the rear of the adapter

as the input for channel 1.

The rear input level selection switch selects either a line level input or a microphone level input for the channel 1 rear connector. The line level input sensitivity is 32 dB lower than the microphone input sensitivity.

The switch under the **Mic 1** socket selects a phantom power supply (48 V) for the rear socket. Phantom power (48 V) is always present on the front-right microphone socket.

Figure 4-4. Audio channel switches



The channel 2 rear input level switch selects either a line level input or a microphone level input for the channel 2 rear connector (**Mic 2**). The switch under the **Mic 2** socket selects a phantom power supply (+48 V) for the rear socket.

Audio channels 1 and 2 are available on the **audio output 1 and 2** connectors (XLR-3) at the Base Station.

With HD Fiber transmission systems, these channels are available as digital outputs on the **digital audio output (1+2)** connector (BNC) at the Base Station and as embedded audio channels 1 and 2 in the HD-SDI video signal.

Digital audio channels (LDK 5880 HD Fiber adaptor only)

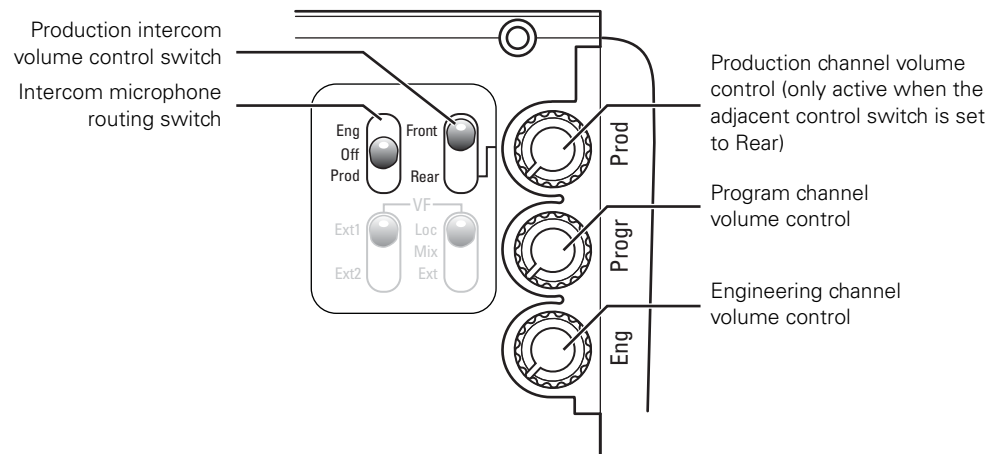
Two AES/EBU digital audio channels are available. Set the VF connector signal selection switch to **AES In** and connect a digital audio source to the VF connector.

Digital audio channels 3 and 4 are available on the **digital audio output (3+4)** connector (BNC) at the Base Station and as embedded audio channels 3 and 4 in the HD-SDI video signal.

4.6.4 Intercom

Three intercom channels – production (Prod), program (Prog) and engineering (Eng) – are sent from the Base Station to the camera operator's headset. The camera operator's intercom microphone signal is sent to the Base Station. Routing and volume controls for the intercom can be found on the back of the adaptor.

Figure 4-5. Intercom controls



Production intercom volume control switch

Use this 2-position switch to control the volume of the production signal in the intercom either at the front of the camera or at the rear of the adaptor.

Intercom microphone routing switch

This 3-position switch routes the camera operator's intercom microphone signal to Engineering (Eng position, latched) or production (Prod position, momentary), or turns it off (mid-position).

The VTR Start button at the front of the camera or the VTR button on the lens can be assigned to send the intercom signal to Production or Engineering, regardless of the position of this switch. Go to the `INSTALL > BUTTONS > VTR START` item and select PROD or ENG.

Intercom headset volume controls

- **Prod** - adjusts the volume of the production signal to the camera headset when selection switch is in the **Rear** position.
- **Prog** - adjusts the volume of the programme signal to the camera headset.
- **Eng** - adjusts the volume of the engineering intercom signal to the camera headset.

The `INTERCOM` section of the `INSTALL` menu contains various settings for all these channels. Signals for left and right headset muffs and sidetone levels can be selected. Intercom microphone amplification levels, phantom power supply and microphone on/off switches are also available in this menu.

Tracker intercom

A tracker can connect a headset to the side of the adaptor to receive the intercom channels from the Base Station and the camera operator's microphone signal. The tracker's microphone signal is passed to the camera operator and to the Base Station.

4.7 Communication

Call button

Press this momentary button to send a signal to the control panels calling for attention. The ND/RE indicator in the viewfinder shows when a call signal is sent or received.

The call button can also be used to playback a voice mail message that has been recorded in the Base Station. Press once to start playback; press again to stop.

Data channel

The Aux connector on the side of the adaptor provides analog control signals and allows for the connection of a two-way private data channel between camera and Base Station. In the INSTALL menu, the tracker microphone and engineering intercom channels can be selected to carry the private data instead of their normal function.

Tracker tally signal

The tracker connector on the side of the adaptor, as well as providing full intercom facilities for the dolly or crane driver, also carries a tally signal and a +12 VDC power supply. This allows an external On Air lamp to be used.

4.8 Managing files

You have access to 15 different files. This number can be extended by using additional scene file camera cards. The Files menu is used to recall and store these files. There are two types of file:

- scene files
- operator files

A scene file contains values related to the picture performance. The operator file contains values related to the set-up of the camera (viewfinder, lens and installation parameters). The tables in ["Menu contents" on page 83](#) and further indicate the functions that are stored in the scene file and those functions that are stored in an operator file.

4.8.1 Scene files

Four scene files are stored in the camera itself (SCAM1, SCAM2, SCAM3 and SCAM4). Another four scene files can be stored on the camera card (SCARD1, SCARD2, SCARD3 and SCARD4). A STANDARD scene file (preselected as either factory or customer defined) is stored in the camera.



Note

The standard customer scene file is stored via the SECURITY menu, not the FILES menu. The decision to use the factory defined file or the customer defined file as the standard file is also made in this menu.

The FILES menu enables the scene files to be stored and recalled using the store and recall entries of the menu system. If the message NOK is displayed, then the old values are restored. If the camera is On Air when a scene file is recalled, then the recalled values do not become active until the camera goes off air.

4.8.2 Operator files

The FILES menu also allows the recall of the operator file stored in the camera (OCAM1) or one of the two operator files (OCARD1 and OCARD2) stored on the camera card. These files contain information for setting up the non-video configuration of the camera. A STANDARD operator file (factory or customer defined) is stored in the camera.



Note

The standard customer operator file is stored via the SECURITY menu, not the FILES menu. The decision to use the factory defined file or the customer defined file as the standard file is also made in this menu.

4.8.3 Standard files

The green **STD button** on the left-front side of the camera recalls the standard scene file. This file contains standard parameters for the picture performance. A standard operator's file can be recalled via the **FILES** menu. This file contains parameters for the set-up of the camera.

4.8.4 Customer standard files

You can define a customer standard file for the standard scene file and for the standard operator's file. The contents of the customer files for both these standard files is stored via the **SECURITY** menu. The selection of a factory defined or a customer defined file for use as a standard file is also made in this menu. You can only access the functions of the **SECURITY** menu with an owner's card or the PIN code of the camera.

4.9 Access and security

4.9.1 User level

The user level function in the SECURITY menu restricts access, in varying degrees, to the operational controls of the camera. You can only access the functions of the SECURITY menu with an owner's card or the PIN code of the camera.

4.9.2 Selecting the user level

There are four user levels: user0, user1, user2 and user3. The purpose of the user levels is to restrict the set of functions which can be changed by whoever is using the camera. In this way a more centralized and uniform control can be achieved and the danger of the camera operator accidentally changing critical functions while shooting is reduced.

User level 0 is a special protection level which locks most of the operational controls of the camera. Use this level to ensure that a camera that has been set-up is not tampered with. User level 0 is not normally used for operational purposes as it is too restrictive for normal circumstances. The recommended minimum user level is 1. For full control set the level to 3. When you switch off the power, the access rights that were obtained by the use of the PIN code are disabled and the camera starts at the assigned user level when switched on again.

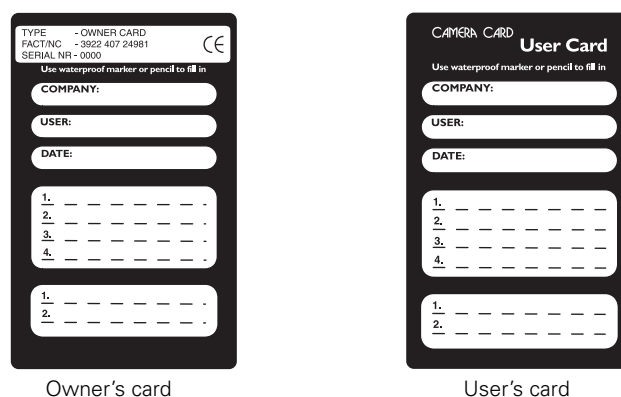
4.9.3 Disable camera

The disable camera function is a protection function which prevents unauthorised interference with the camera and provides an additional level of security. Setting disable camera to ON is similar to using User level 0 to protect the settings of the camera.

4.9.4 Camera cards

Three camera cards are delivered with each camera. There are two user's cards and one owner's card.

Figure 4-6. Camera cards



The owner's card has three functions:

- As an access control device to the security settings of the camera.
- As a storage device for four scene files.
- As a storage device for two operator files.

The owner's card is unique to every camera. Owner's card and camera must have the same serial number. An owner's card is linked to the serial number of the camera and cannot be used as an owner's card for another camera.

The user's card has two functions:

- As a storage device for four scene files.
- As a storage device for two operator files.

Scene files

Both the user's card and the owner's card allow four different scene files to be stored on the card. The recall and storage of a scene file is carried out via the Files menu of the menu system. A scene file contains information relating to the video settings.

Operator files

Both the user's card and the owner's card allow two different operator files to be stored on the card. The recall and storage of an operator file is carried out via the Files menu of the menu system. An operator file contains information relating to the set-up of general camera preferences.

4.9.5 Access control

The owner's card or the PIN code is used to access special set-up and security features of the camera. Inserting the owner's card into the associated camera always gives direct access to the Security menu (PIN code is not required). If you select the Security menu without this card inserted, you must enter the correct PIN code to gain access to this menu.

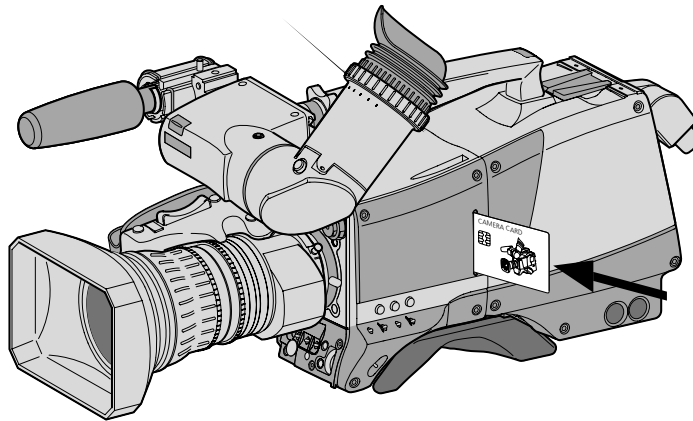
PIN code

The PIN code of the camera can be viewed and changed in the Security menu. The camera's PIN code when it leaves the factory is set to 0000. It is strongly advised that this code be changed by the owner on receipt of the camera. This ensures added protection against unauthorised access to the Security menu.

4.9.6 Camera card slot

Insert your camera card into the slot with the chip on the card facing the front of the camera. Slide the card in until it fits snugly. A camera card is not required for normal operation of the camera.

Figure 4-7. Camera card slot



Tip

Only use an original camera card. Store the owner's card in a safe place.

Chapter 5

Video setup

5.1 Video settings

5.1.1 Standard settings

To ensure that some of the camera functions are not set to unusual values, a standard file has been defined that contains the default values for most video functions. The chapter “[Menu contents](#)” on page 83 lists the values that are set when the standard file is recalled.

To recall the standard values for the various video functions, press the green **Standard file button** on the left-front side of the camera and hold it for two seconds. The standard values only take effect when the camera is not On Air.

The standard file can be selected as either a factory or a customer standard file. Changing the standard file can only be done in the System security menu if the owner card or the PIN code is used.

5.1.2 Non-standard indicator

The non-standard indicator in the viewfinder (the lights) when one of the following conditions occur:

- Exposure time is not set to the nominal value;
- Black stretch is on;
- Extended auto iris is on;
- AWC or FL50/FL60 color temperature is on.

5.2 Video modes

Go to the `INSTALL > VIDEO MODE` menu item and choose the video mode you wish to use for acquisition. The tables in the following sections show the possible output signals available (both on the Base Station and the camera adaptor) for each camera version and video mode.

5.2.1 Camera with LDK 5880 HD Fiber adaptor

Video mode	Acquisition	LDK 8000 E Worldcam	LDK 8000 E Enterprise	LDK 4000 E 1080i	LDK 4000 E 720p	Camera adaptor			Base Station
						BNC 1: VF ¹⁾	BNC 2: HD-SDI(B)/VF ²⁾	BNC 3: HD-SDI(A) ³⁾	HD-SDI connectors
1080p50	1080p50	●				VF signal (analog, Y-only)	VF or Main signal (1080i50 SMPTE 292M @ 1.5 Gbit/s)	External video	1080p50 SMPTE 425A @ 3 Gbit/s + embedded audio ⁴⁾
1080p59	1080p59.94	●				VF signal (analog, Y-only)	VF or Main signal (1080i59.94 SMPTE 292M @ 1.5 Gbit/s)	External video	1080p59.9 SMPTE 425A, @ 3 Gbit/s + embedded audio ⁴⁾
1080i50	1080i50	●	●	●		VF signal (analog, Y-only)	VF or Main signal (1080i50 SMPTE 292M @ 1.5 Gbit/s)	External video	1080i50 SMPTE 292M @ 1.5 Gbit/s + embedded audio ⁴⁾
1080i59	1080i59.94	●	●	●		VF signal (analog, Y-only)	VF or Main signal (1080i59.94 SMPTE 292M @ 1.5 Gbit/s)	External video	1080i59.94 SMPTE 292M @ 1.5 Gbit/s + embedded audio ⁴⁾
720p50	720p50	●	●		●	VF signal (analog, Y-only)	VF or Main signal (720p50 SMPTE 292M @ 1.5 Gbit/s)	External video	720p50 SMPTE 292M @ 1.5 Gbit/s + embedded audio ⁴⁾
720p59	720p59.94	●	●		●	VF signal (analog, Y-only)	VF or Main signal (720p59.94 SMPTE 292M @ 1.5 Gbit/s)	External video	720p59.94 SMPTE 292M @ 1.5 Gbit/s + embedded audio ⁴⁾
720p50-25	720p25	●				VF signal (analog, Y-only)	VF or Main signal (720p50 SMPTE 292M @ 1.5 Gbit/s)	External video	720p50 SMPTE 292M, @ 1.5 Gbit/s embedded audio ⁴⁾
720p59-23	720p23.98	●				VF signal (analog, Y-only)	VF or Main signal (720p59.94 SMPTE 292M @ 1.5 Gbit/s)	External video	720p59.94 SMPTE 292M @ 1.5 Gbit/s + embedded audio ⁴⁾
720p59-29	720p29.97	●				VF signal (analog, Y-only)	VF or Main signal (720p59.94 SMPTE 292M @ 1.5 Gbit/s)	External video	720p59.94 SMPTE 292M @ 1.5 Gbit/s + embedded audio ⁴⁾
1080psf23	1080p23.98	●				VF signal (analog, Y-only)	VF or Main signal (1080psf47.95 SMPTE 292M @ 1.5 Gbit/s)	External video	1080psf47.95 SMPTE 292M @ 1.5 Gbit/s + embedded audio ⁴⁾
1080i59-23	1080p23.98	●				VF signal (analog, Y-only)	VF or Main signal (1080i59.94 SMPTE 292M @ 1.5 Gbit/s)	External video	1080i59.94 SMPTE 292M @ 1.5 Gbit/s + embedded audio ⁴⁾
1080psf24	1080p24	●				VF signal (analog, Y-only)	VF or Main signal (1080psf48 SMPTE 292M @ 1.5 Gbit/s)	External video	1080psf48 SMPTE 292M @ 1.5 Gbit/s + embedded audio ⁴⁾
1080psf25	1080p25	●				VF signal (analog, Y-only)	VF or Main signal (1080psf50 SMPTE 292M @ 1.5 Gbit/s)	External video	1080psf50 SMPTE 292M @ 1.5 Gbit/s + embedded audio ⁴⁾
1080psf29	1080p29.97	●				VF signal (analog, Y-only)	VF or Main signal (1080psf59.94 SMPTE 292M @ 1.5 Gbit/s)	External video	1080psf59.94 SMPTE 292M @ 1.5 Gbit/s + embedded audio ⁴⁾

1) Set the VF connector signal selection switch to **An. VF**.

2) Select the signal (**Main** or **VF**) in the **INSTALL > HD-SDI (B) VIDEO** menu.

3) Select the external signal (**EXT1** or **EXT2/3**) with the External video signal switch at the back.

4) Note that not all HD-SDI outputs carry audio signals. Refer to the Base Station user's guide.

5.2.2 Camera with LDK 5861 TriaxHD adaptor

Video mode	Acquisition	LDK 8000 E Worldcam	LDK 8000 E Enterprise	LDK 4000 E 1080i version	LDK 4000 E 720p version	Camera adaptor			Base Station
						BNC 1: VF ¹⁾	BNC 2: HD-SDI(B)/VF	BNC 3: HD-SDI(A)	HD-SDI connectors
1080p50	1080p50	●				VF signal (analog, Y-only)	LINK B 1080i50 SMPTE 292M @ 1.5 Gbit/s	LINK A 1080i50 SMPTE 292M @ 1.5 Gbit/s	not available
1080p59	1080p59.94	●				VF signal (analog, Y-only)	LINK B 1080i59.94 SMPTE 292M @ 1.5 Gbit/s	LINK A 1080i59.94 SMPTE 292M @ 1.5 Gbit/s	not available
1080i50	1080i50	●	●	●		VF signal (analog, Y-only)	VF signal (1080i50 SMPTE 292M @ 1.5 Gbit/s)	1080i50 SMPTE 292M @ 1.5 Gbit/s	1080i50 SMPTE 292M @ 1.5 Gbit/s
1080i59	1080i59.94	●	●	●		VF signal (analog, Y-only)	VF signal (1080i59.94 SMPTE 292M @ 1.5 Gbit/s)	1080i59.94 SMPTE 292M @ 1.5 Gbit/s	1080i59.94 SMPTE 292M @ 1.5 Gbit/s
720p50	720p50	●	●		●	VF signal (analog, Y-only)	VF signal (720p50 SMPTE 292M @ 1.5 Gbit/s)	720p50 SMPTE 292M @ 1.5 Gbit/s	720p50 SMPTE 292M @ 1.5 Gbit/s
720p59	720p59.94	●	●		●	VF signal (analog, Y-only)	VF signal (720p59.94 SMPTE 292M @ 1.5 Gbit/s)	720p59.94 SMPTE 292M @ 1.5 Gbit/s	720p59.94 SMPTE 292M @ 1.5 Gbit/s
720p50-25	720p25	●				VF signal (analog, Y-only)	VF signal (720p50 SMPTE 292M @ 1.5 Gbit/s)	720p50 SMPTE 292M @ 1.5 Gbit/s	720p50 SMPTE 292M, @ 1.5 Gbit/s
720p59-23	720p23.98	●				VF signal (analog, Y-only)	VF signal (720p59.94 SMPTE 292M @ 1.5 Gbit/s)	720p59.94 SMPTE 292M @ 1.5 Gbit/s	720p59.94 SMPTE 292M @ 1.5 Gbit/s
720p59-29	720p29.97	●				VF signal (analog, Y-only)	VF signal (720p59.94 SMPTE 292M @ 1.5 Gbit/s)	720p59.94 SMPTE 292M @ 1.5 Gbit/s	720p59.94 SMPTE 292M @ 1.5 Gbit/s
1080psf23	1080p23.98	●				VF signal (analog, Y-only)	VF signal (1080psf47.95 SMPTE 292M @ 1.5 Gbit/s)	1080psf47.95 SMPTE 292M @ 1.5 Gbit/s	1080psf47.95 SMPTE 292M @ 1.5 Gbit/s
1080i59-23	1080p23.98	●				VF signal (analog, Y-only)	VF signal (1080i59.94 SMPTE 292M @ 1.5 Gbit/s)	1080i59.94 SMPTE 292M @ 1.5 Gbit/s	1080i59.94 SMPTE 292M @ 1.5 Gbit/s
1080psf24	1080p24	●				VF signal (analog, Y-only)	VF signal (1080psf48 SMPTE 292M @ 1.5 Gbit/s)	1080psf48 SMPTE 292M @ 1.5 Gbit/s	1080psf48 SMPTE 292M @ 1.5 Gbit/s
1080psf25	1080p25	●				VF signal (analog, Y-only)	VF signal (1080psf50 SMPTE 292M @ 1.5 Gbit/s)	1080psf50 SMPTE 292M @ 1.5 Gbit/s	1080psf50 SMPTE 292M @ 1.5 Gbit/s
1080psf29	1080p29.97	●				VF signal (analog, Y-only)	VF signal (1080psf59.94 SMPTE 292M @ 1.5 Gbit/s)	1080psf59.94 SMPTE 292M @ 1.5 Gbit/s	1080psf59.94 SMPTE 292M @ 1.5 Gbit/s

¹⁾ Set the VF connector signal selection switch to **An. VF**.

5.3 Test signals

The left-front side panel of the camera has a **Color bars switch** for switching on a color bar test signal. The color bar is the standard test signal that is used to set up and check the camera before use. When the color bar is selected the following functions are temporarily set to **Off**:

- Black stretch
- White limiter
- Zebra
- Safe area (VF)
- Cadre (VF)

The lens iris closes automatically when the color bar is switched on.

5.4 Gain

5.4.1 Gain selection

Depending on the available light level it may be necessary to adjust the gain of the camera. Setting the gain level higher may introduce more noise into the image. The gain is selected via the **Gain switch** on the left-front side of the camera.

1. When this switch is pressed initially, the current gain value is displayed in the viewfinder.
2. Holding the switch in the up or down position for a short moment selects one of the five master gain settings: -, 0, +, ++ and +++.
 - The actual value of the gain in dB is assigned to these symbols in the `INSTALL` menu.
 - The **Gain indicators** in the viewfinder light to indicate the value selected. (The + and ++ indicators light when the gain is +++)

Preset	Gain
-	can be set to -6 or -3 dB
0	is always 0 dB
+	can be set to +3, +6 or +9 dB
++	can be set to +6, +9 or +12 dB
+++	is always +12 dB

5.4.2 Variable gain

The gain switch can also be used to vary the gain continuously between its minimum and maximum value.

1. Hold the switch continuously in the up or down position until you see the value in the viewfinder change in steps of 0.1 dB.
2. Release the switch when you reached the value you want. This exits the value selection mode.
3. Using the switch momentarily again sets the gain to the nearest standard value.

5.4.3 Digital noise reducer

Although the CCD imagers of the camera have very low noise levels by nature, circumstances may require extra video noise reduction. To do this, a user-definable digital noise reducer is available in the camera.

Go to the **VIDEO** menu and select the **NOISE REDUCTION** item. Select one the presets **1**, **2** or **3** or **Off** to turn off the noise reducer. Preset 1 produces the lowest noise reduction while preset 3 produces the highest. Try and select the best option for your situation.



Note

High noise reduction may introduce unwanted artifacts in the image.

5.5 Optical filters

A neutral density filter and a special effect filter can be placed in the path of the optical signal to modify the incoming light. The filters are selected via the **Filter switches** at the top-front of the camera. These filters can be used, for example, to control depth of field or exposure levels.

The camera does not need color optical filters to be able to white balance correctly. The range of the auto-white balance is so wide (from 2500 K to 20000 K) that there is never any need to use color filters to obtain the correct white. Rotate the switches to move the optical filter wheels.

The lower, large filter switch has four positions:

Position	Filter
1	Clear
2	ND 1/4 filter (2 stops)
3	ND 1/16 filter (4 stops)
4	ND 1/64 filter (6 stops)

The higher, smaller filter switch also has four positions:

Position	Filter
1	Clear
2	4-point star
3	6-point star
4	Soft focus

The status of the filter wheels is displayed in the viewfinder for a few seconds. The **ND/RE indicator** in the viewfinder lights when an ND (Neutral Density) filter is selected.

5.6 Color temperature

For true color reproduction the ambient lighting conditions must be compensated for by selecting a value for the color temperature. The standard file setting is 3200 K (normally used for tungsten and indoor lighting). Two other reference color temperatures are available: 5600 K (for outdoors, clouded conditions) and 7500 K (for outdoors, clear blue skies).

The memory positions (FL50, FL60, AW1 and AW2) are available to store the results of the auto-white measurement process. The memory positions store measured values using the automatic white balance switch at the front. The FL positions are recommended for shooting with fluorescent light.

A continuous automatic white balance position (AWC) is also available. This function continuously measures the white balance and adjusts accordingly. It can be used when a constant color balance is required under changing lighting temperatures (sunsets, indoors/outdoors use).

In the auto-white positions an electronic color filter can be adjusted in the VIDEO menu. This varies the color balance to obtain warmer or colder color effects. When an automatic white balance process is performed, the electronic color filter is reset to its default value.

5.6.1 Selecting the color temperature

The up/down **Color temperature switch** on the left-front side of the camera allows a choice between:

Three preset color temperatures:

- 3200 K (3.2 K) - for indoor lighting conditions
- 5600 K (5.6 K) - for outdoors, clouded conditions
- 7500 K (7.5 K) - for outdoors, clear blue skies

Four memory positions:

- FL50 - memory position for 50 Hz fluorescent light (matrix is set to **CoolFL** and exposure to **50 Hz**.)
- FL60 - memory position for 60 Hz fluorescent light (matrix is set to **CoolFL** and exposure to **60 Hz**.)
- AW1 - memory position 1
- AW2 - memory position 2

An automatic continuous white position:

- AWC - continuous measurement (from 2500 K to 20000 K)

When the switch is first pressed, the viewfinder displays the current value.

Select a new value by scrolling up or down through the available values.

The **Color temperature indicators** in the viewfinder light to show which position is selected. None of these indicators light when AWC is selected, but the **Non-standard indicator** lights.

The viewfinder also displays the actual value of a measured color temperature. The range of the auto-white balance is from 2500K to 20000 K.

5.6.2 Variable color temperature

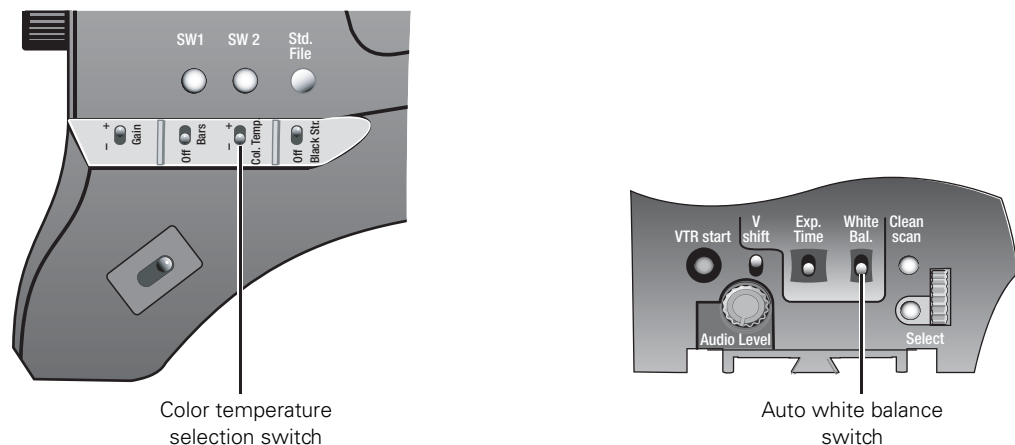
The **Color temperature switch** on the left-front side of the camera can also be used to vary the color temperature continuously between its minimum and maximum value (2500 K to 20000 K).

1. Hold the switch continuously in the up or down position until you see the value in the viewfinder change in steps of 10.
2. Release the switch when you reach the value you want. This exits the value selection mode.
3. Using the switch momentarily again sets the color temperature to the nearest standard value.

5.6.3 Auto-white balance

If the reference color temperatures do not match your lighting conditions carry out the auto-white procedure as follows:

Figure 5-1. Auto white balance switches



1. Use the **Color temperature switch** to select one of the memory positions FL50, FL60, AW1 or AW2 in which to store the measured color temperature value.
2. Press once on the **Auto white balance switch** at the front of the camera to start the automatic white balance procedure. The following appears in the viewfinder:



Note

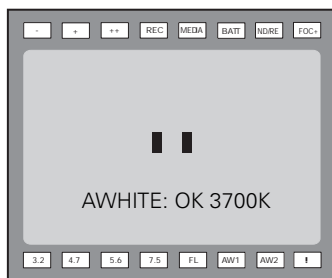
If you did not select one of the memory positions FL50, FL60, AW1 or AW2, the 'Precondition fail' message appears in the viewfinder.

3. Point the camera so that the reference white surface is between the two small black boxes.
4. Press the **White balance switch** again to start the measurement procedure. A message indicating that the process is running appears.

**Note**

If there is insufficient light, the 'Light level too low' message appears in the viewfinder.

5. When the process is completed (within a few seconds) the **OK** message and the measured temperature appears in the viewfinder.



The measured color temperature is now stored in the selected memory position and can be recalled as required.

Note

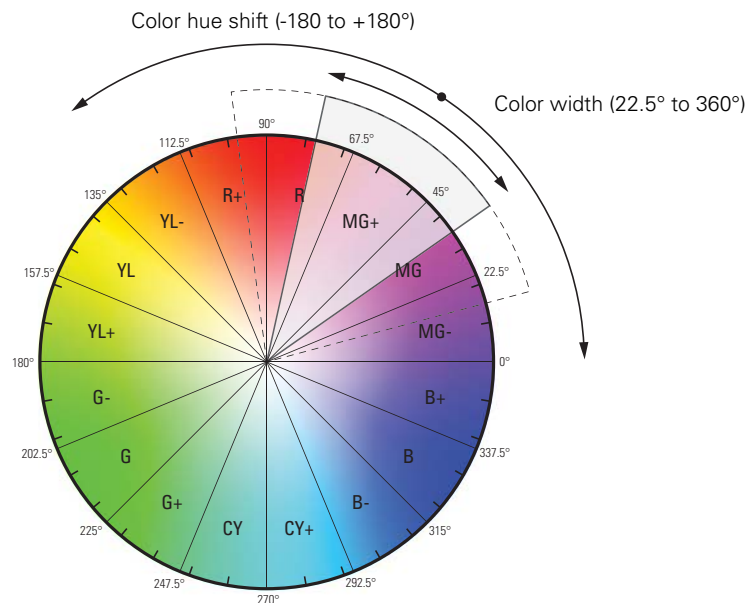
During the auto-white measurement process iris is set to **Auto** and **90%** and the knee is turned off.

Black balance is not necessary with this camera because of the continuous automatic black control circuits.

5.7 Color correction

Use color correction to adjust hue, saturation and luminance of partial areas of the color spectrum of the image. Typical applications include live sports or news productions. Up to six color areas can be set up and corrected at the same time.

Figure 5-2. Color correction shown on the color wheel.



5.7.1 Setup using the system menu

Carry out the following steps to set up the color corrector in the system menu:

1. In the VIDEO > COLCORR menu, set the item CORRECTOR to **On**.
2. Go to the item SET and select one of six color correction sets.
3. Set the item SET ONOFF to **On** to activate the selected set.
4. Select a color area by changing the COLOR and WIDTH items. The color can be selected in steps of 22.5° on the color wheel. The color area width can be enlarged by setting the WIDTH item. The color width can be varied between 22.5° and 360°.
5. You can view the selected color area, set the item CC VIEW to **On**. Make sure to turn it off before going on air.
6. Now make adjustments of the selected color area by changing the HUE (color hue), SAT (color saturation) and LUM (luminance) items.

The transition between the corrected and uncorrected color area can be set to **Sharp**, **Medium** or **Smooth** using the SMOOTHING item.



Tip

You can reset the color corrector by running the RESET CC item. All color correction sets are reset to their nominal values.

5.7.2 Setup using the Operational Control Panel

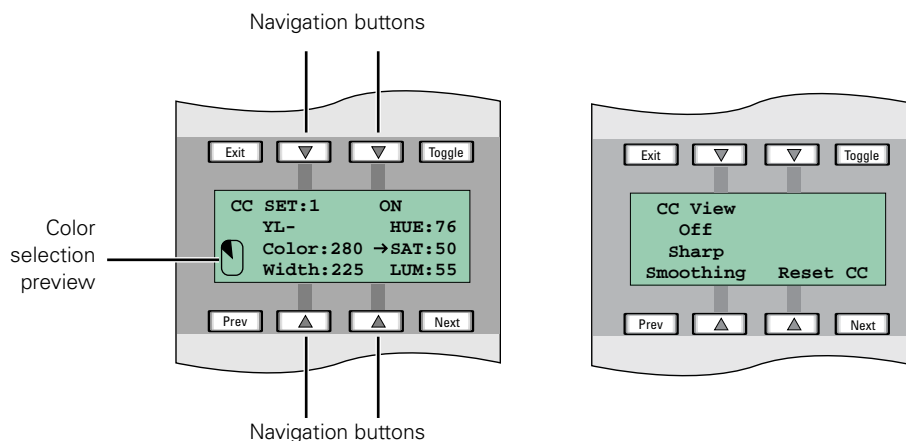
Follow these steps to set up the color corrector on the OCP 400:

1. With the control panel connected to the camera, press the **Color** button on the control panel (in the video parameter section). The color menu is shown.
2. Use the **Next** button to scroll to the next menu.
3. Turn on the color corrector with the **Corrector** item at the top left of the screen.
4. Push the navigation button to enter **COLCORR** (color correction) menu. The color corrector menu appears. There are two pages that can be accessed by using the **Next** and **Prev** buttons.

The first page contains the setup items. Use the navigation buttons to scroll through the different setup items.

1. Select a color correction set with the **CC SET** item at the top left of the screen.
2. Activate the selected set using the top right selection button. When a set is not activated, all items are blocked.
3. Select a color area by changing the **Color** and **Width** parameters. Select the parameter with the navigation button and change its value with the rotary control. A preview of the color selection is shown on the bottom left of the screen.
4. Adjust the **Hue**, **Saturation** and **Luminance** of the selected color range. Select the parameter with the navigation button and change its value with the rotary control.

Figure 5-3. Color corrector setup menu on the OCP 400.



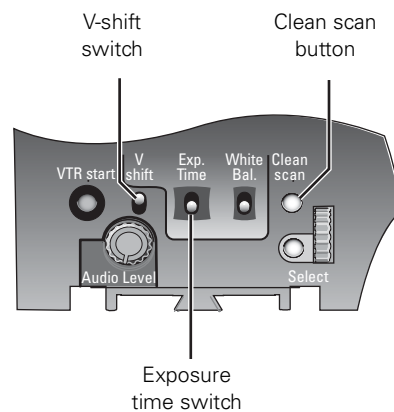
Use the **Next** button to go to the second page.

1. Turn the **CC View** item on the view the color area selection.
2. Select a transition style using the **Smoothing** item.
3. You can reset all six color correction sets to their default values with the **Reset CC** item.
4. Leave this page by pressing the **Prev** button.

5.8 Exposure time

The exposure time values of 1/200, 1/500 and 1/1000 of a second are used to capture fast moving objects so that these can be played back sharply in slow motion. The value selected depends on the speed of the moving object.

Figure 5-4. Exposure time controls



Note

Decreasing the exposure time lowers the camera's sensitivity proportionally.

5.8.1 Selecting the exposure time

The momentary up/down **Exposure time switch** gives a choice of exposure time settings. If an exposure time other than nominal is selected, the **Non-standard indicator (!)** in the viewfinder lights.

Value	Function	Shutter blade
Nom.	nominal setting	rotating
Clean scan	enables the exposure to be varied	stopped or rotating
1/200	for fast moving objects	rotating
1/500	for fast moving objects	rotating
1/1000	for fast moving objects	rotating
50 Hz	shooting under 50 Hz lighting (adjustable)	rotating
60 Hz	shooting under 60 Hz lighting (adjustable)	rotating

5.8.2 Lighting

The exposure selection also includes lighting control positions which can be used when shooting with lighting that is operating at a different frequency to the camera. There are two positions; 50 Hz and 60 Hz. Each of these positions can be varied further in a range from -10 to +10 Hz. To reduce flicker select the frequency closest to the frequency of the lights and then vary the lighting control in the **INSTALL** menu to obtain the best result.

5.8.3 Vertical shift (V-shift)

When shooting monitors with (almost) the same display frequency as the camera's, for example TV sets, a horizontal black bar can be seen in the viewfinder. This phenomenon occurs because the camera is blanking while the monitor is not. The **V-shift switch** shifts the camera blanking to sync it with the blanking of the monitor.

The **V-shift switch** at the front of the camera is a momentary switch with a central rest position. Hold the switch in the + or - position to until the horizontal bar disappears.



Note

This function is only available when the camera is used in the stand-alone mode. It is not active when the camera is genlocked or On Air.



Tip

You can also use V-shift to remove any color shifts that might occur when shooting pictures produced by DLP-type devices.

5.8.4 Clean scan

When shooting computer monitors with higher frame frequencies than the camera's use the Clean Scan function to avoid horizontal bars in the picture:

1. Press the **Clean Scan button** at the front of the camera for about two seconds to directly access the variable exposure (clean scan) function. The **CLEAN SCAN** submenu appears in the viewfinder.
2. Use the **Rotary control** to change the value and so remove the noise bar.
3. If a more accurate adjustment is required set the **CL. SCAN** item to **EXTENDED**. (Set the mode to **NORMAL** if a smear effect occurs.)
4. Set the **UNIT** item to the preferred read out, **Hz** or **mSec**.

When you are finished shooting the monitor press the **Clean Scan button** for two seconds to switch off the Clean Scan function. The Exposure time returns to its previous non-variable setting.

When Clean Scan is on, the **Non-standard indicator** in the viewfinder lights.



Note

Avoid shooting highlights in the Clean Scan mode as this may cause a smear effect.

5.9 Reverse scan

When the camera is used at a rotated angle use the reverse scan feature to digitally rotate the camera's image to compensate. Go to the **INSTALL > REVERSE SCAN** menu to switch reverse scan on or off and to select the scan mode (horizontal, vertical or both rotations).

5.10 Freeze frame

Go to the **INSTALL > FREEZE FRAME** menu to turn this function on or off. When turned on, the freeze frame function freezes the current video frame so that video functions can be set up off line. The following functions are NOT available in freeze frame mode:

- Iris settings
- Color temperature
- Master and variable gain
- Skin detail selection
- V-shift and clean scan



Note

Freeze frame is only available in 1080i50/59.94 and 720p50/59.94 video modes.

5.11 Black stretch

The black stretch function changes the level of detail in the shadow areas of the picture without effecting the rest of the picture. Set the **Black stretch switch** at the front left side of the camera to the **On** position to switch on the black stretch function. Go to the **VIDEO > BLACK > BLACKSTRETCH** item to adjust the black stretch level from 0 to 99.

When black stretch is switched on the **Non-standard indicator** in the viewfinder lights.

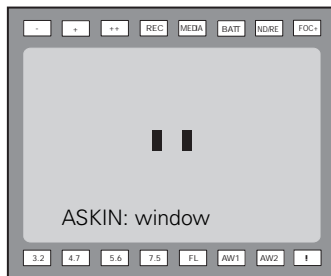
5.12 Auto skin detail

Use skin detail to change the detail level in a selected color range. Decreasing the detail level of a person's skin color softens only the skin tones. But not only skin colors can be selected, for example, decrease the detail level of a soccer field to accentuate the soccer players or increase the skin detail level to accentuate a rough surface.

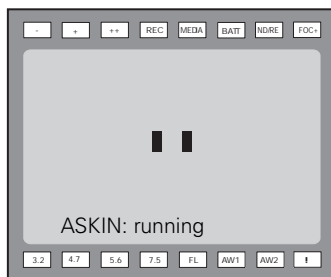
Carry out the Auto skin detail procedure as follows:

1. In the **VIDEO > SKIN > SKIN** menu, select the memory position skin 1 or skin 2 (not 1+2).
2. Place the cursor in front of the **VIDEO > SKIN > AUTO SKIN** item.

3. Press the **Select** button. The following appears in the viewfinder:



4. Point two small black boxes at the intended surface.
5. Press the **Select** button to start the measurement procedure (the iris is set to Auto). The process running message appears:



6. When the process is completed (within a few seconds) the **OK** message appears in the viewfinder.
7. Adjust the skin detail level with the VIDEO > SKIN > SKIN LEVEL item. Decrease the value below 50 to soften the selected area. Increase the value above 50 to add extra detail.

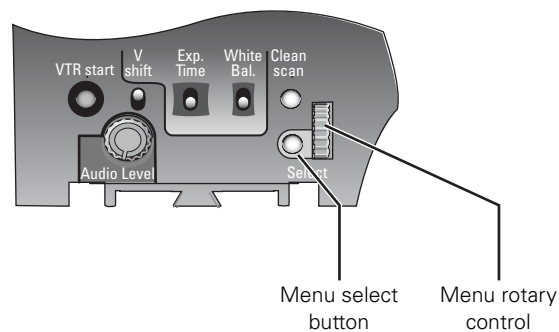
Chapter 6

System menu

6.1 Using the system menu

The camera is operated via the viewfinder text display and the control system menu switches. The systems menu is viewed in the viewfinder and navigated by means of the **Rotary control** and the **Select button** which are both located at the front of the camera.

Figure 6-1. Menu control buttons



The functions of the camera are grouped into menus and sub-menus. Each of the menus gives you access to a particular group of functions. Spend some time using the controls and menus to discover the various functions. You will quickly learn to operate the camera intuitively.



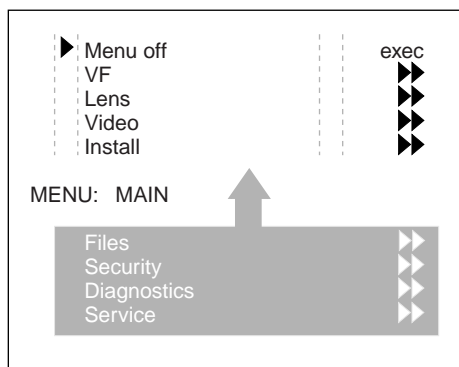
Note

Some of the menu items may not appear if the user level is not set to 3.

6.1.1 Entering the system menu

Press the **Select** button after the camera is switched on, the message Menu off appears in the viewfinder. Press the **Select** button again while this text is showing, the MAIN menu appears in the viewfinder.

Figure 6-2. Main menu



The MAIN menu screen shows five items. The name of the menu is shown below these. Four more items are hidden but become visible when you scroll down using the **Rotary control**. A cursor shows your position in the menu. The **Rotary control** moves the cursor up and down.

6.1.2 Finding your way

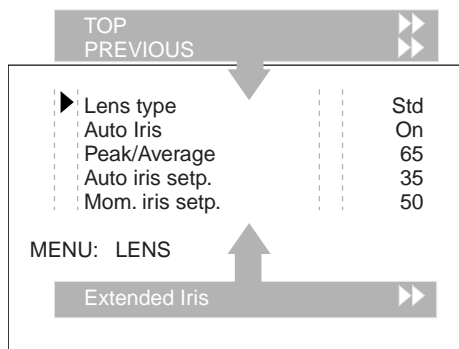
Use the **Rotary control** to move the cursor through the menu items. If a double arrow (>>) is visible, then pressing the **Select button** brings you one level lower in the menu system. Only five items are visible in each menu. Scroll up or down to see any additional items. When you first enter a menu (other than the MAIN menu) the cursor is positioned next to the first item.

The TOP and PREVIOUS entries are not immediately visible but are located above the first item. Use the **Rotary control** to scroll up to them.

- Select TOP to bring you back to the MAIN menu.
- Select PREVIOUS to go back to the menu that you were in before the current one.

The LENS menu, for example, shows the items displayed when you first enter the menu. The other items are available by scrolling up or down with the **Rotary control**.

Figure 6-3. Lens menu



6.1.3 Leaving the system menu

If you are deep within the menu structure, the recommended way of leaving the system menu is:

1. If necessary move the cursor to the left column with the **Select button**.
2. Scroll upwards with the **Rotary control** until the cursor points to **TOP** (this is the **MAIN** menu).
3. Press the **Select button**. The cursor now points to the **MENU OFF** item of the **MAIN** menu.
4. Press the **Select button** to leave the System menu.

If you do not use the menu it disappears after a few seconds. This delay can be programmed in the **VF** menu. However, when you press the **Select button** again you enter the System menu at the last position of the cursor and not at the top of **MAIN** menu. To prevent confusion the next time you enter the System menu, it is advisable to leave the menu by returning to the **MAIN** menu (**TOP**) and selecting **MENU OFF**.

6.1.4 Making changes

To find out where you have to go to change a function, consult the [“Menu structure” on page 74](#) to discover under which menu group or sub-group the function you want to change is located. If the cursor points to an item (and there are no double arrows to indicate a sub-menu) then the item pointed to has a value. The value can be:

- a toggle value (only two values)
- a list value (more than two values)
- an analog value (variable from 0 to 99)
- unavailable (- - -).

If the value is unavailable it cannot be changed. This is indicated by three dashes (- - -). This can occur, for example, when a function is switched off. The analog values associated with that function are then unavailable.

If there are only two values associated with the function, then pressing the **Select button** toggles between these two values. If a value is displayed next to a function that is one of several possible values, then pressing the **Select button** places the cursor in a list menu indicating the value currently selected. Use the **Rotary control** to point to a new value. Press the **Select button** to return the cursor to the function list.

If an analog value is displayed next to a function name, then pressing the **Select button** places the cursor in front of the value and the **Rotary control** is used to change the analog value. Press the **Select button** to return the cursor to the function list.

6.1.5 Undoing changes

If you make changes to the video settings in the Systems menu and you decide not to keep them, use the **Standard button** at the side of the camera to recall a standard set of values for the video parameters.

6.2 Menu structure

The structure of the main menus and their submenus are shown on the following pages. The first column shows the user level (0 to 3). You only see menu functions whose user level is equal to or less than the user level set on your camera. Where appropriate, the default value of the function in the standard factory file is shown after the function.

6.2.1 Top menu structure

Viewfinder menu	>>
Lens menu	>>
Video menu	>>
Install menu	>>
Files menu	>>
Security menu	>>
Diagnostics menu	>>
Service menu	>>

Viewfinder menu - contains the functions which determine how items in the viewfinder are displayed.

Lens menu - controls various aspects of the lens.

Video menu - contains those functions which affect the picture quality.

Install menu - contains the functions that are used to set up the general configuration of the camera.

Files menu - allows values to be stored in scene and operator files, and allows these files to be recalled as required.

Security menu - used by the camera owner to set user levels and to control access to the camera, or to store the customer (scene and operator) default files.

Diagnostics menu - provides information on the current status of the camera. No values can be changed in this menu.

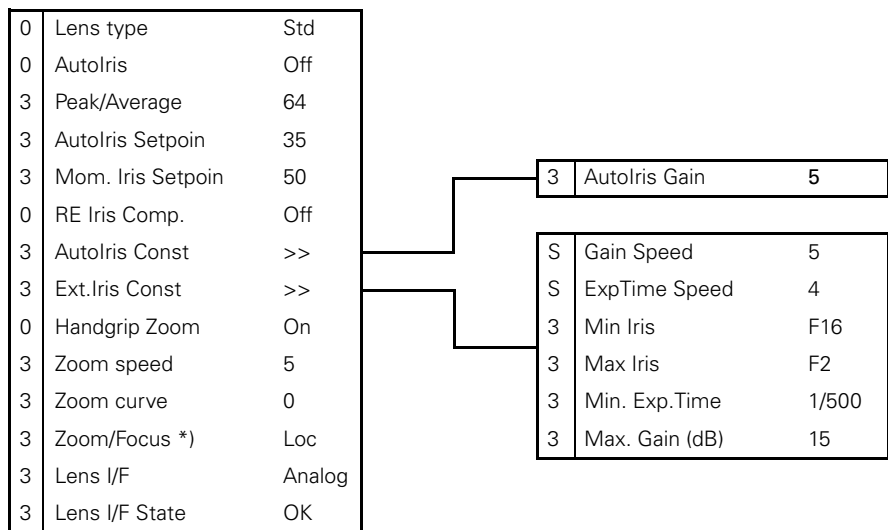
Service menu - contains service item for advanced camera configuration.

6.2.2 Viewfinder menu structure

U	Function name	Default			
2	VF Monitoring	Y			
0	VF Detail	>>		0	VF Detail On
0	Focus assist	Off		0	Level 50
0	Zebra	>>		0	Zebra Off
0	Center Cross	Off		3	Zebra mode Level
0	QoS bar *)	Off		3	Zebra level (%) 90
0	Iris ind.	Off		3	Zebra contrast 15
0	Focus Ind.	Off			
0	Zoom Ind.	Off			
0	Box downright	Off			
0	Safe area	Off			
0	Safe area type	16:9			
0	Marker	Off			
0	Marker type	4:3			
0	Marker style	Dot			
0	Marker shading	Shad			
2	Ind. White	70			
2	Ind. Black	30			
2	Display	Time			
3	Menu Time	10			
3	Rotary speed	5			
0	Notch EXT	Off			
0	EXT AspectRatio	4:3			

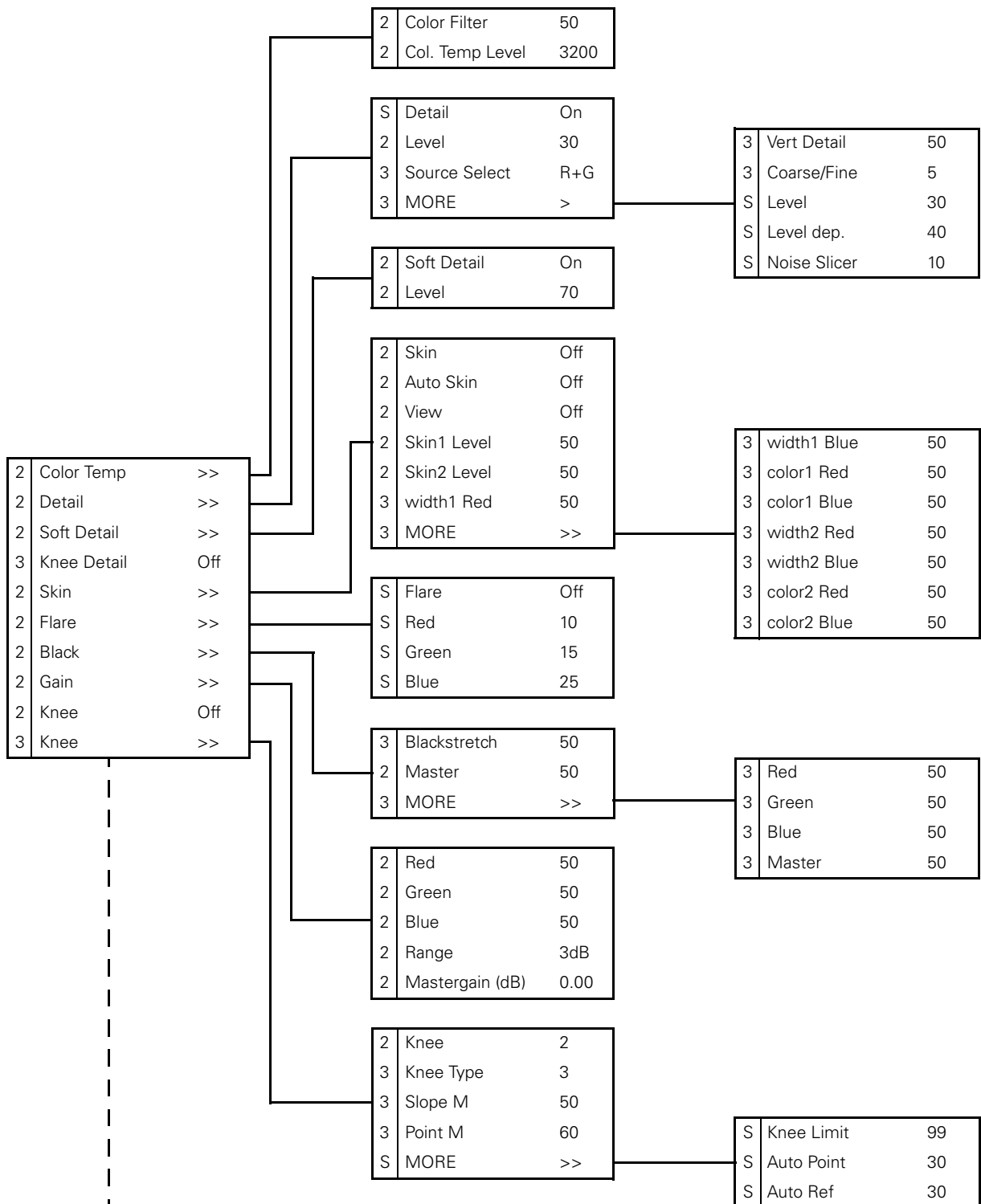
*) Wireless adaptor only

6.2.3 Lens menu structure



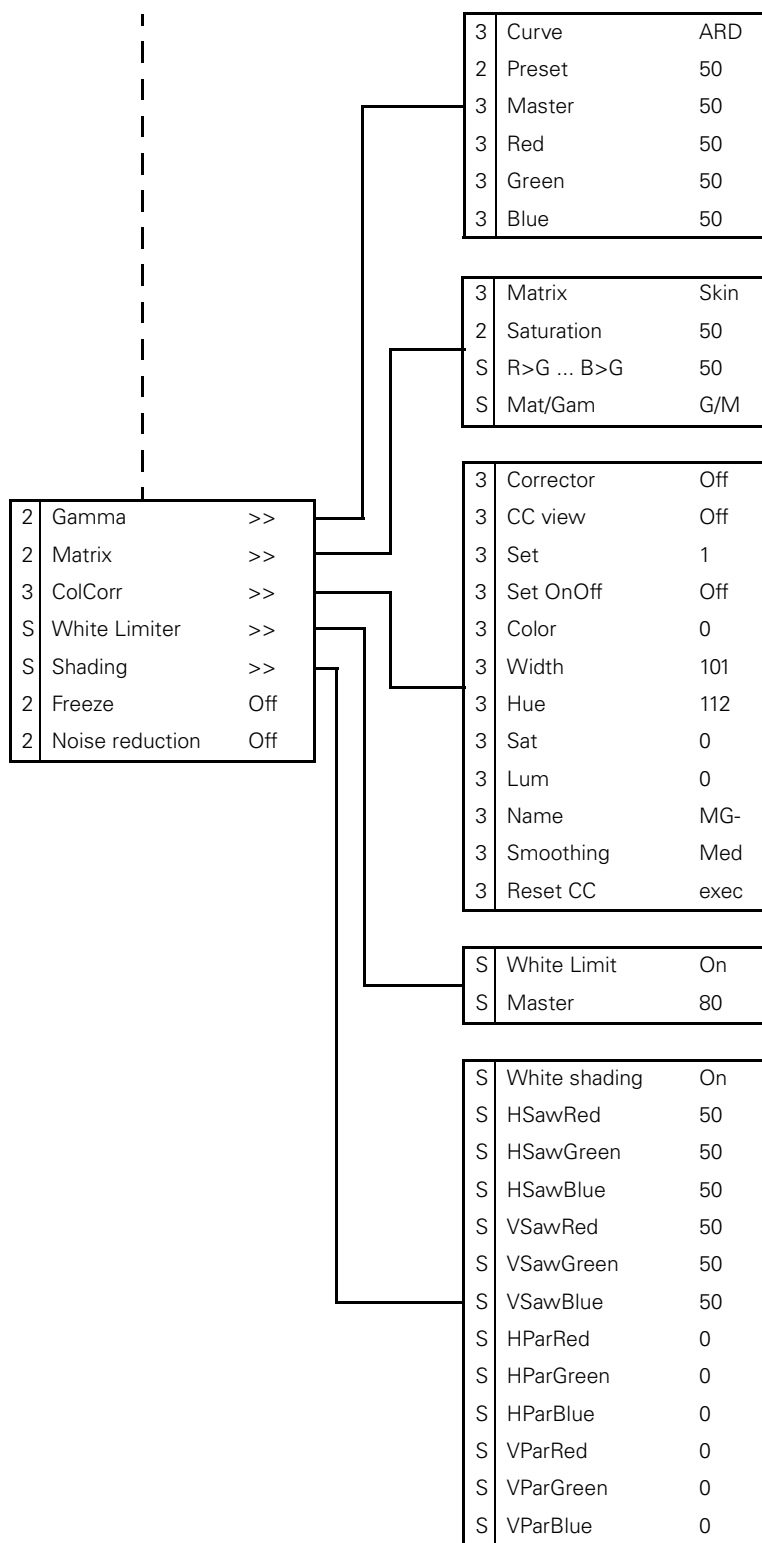
*) SuperXpander only

6.2.4 Video menu structure

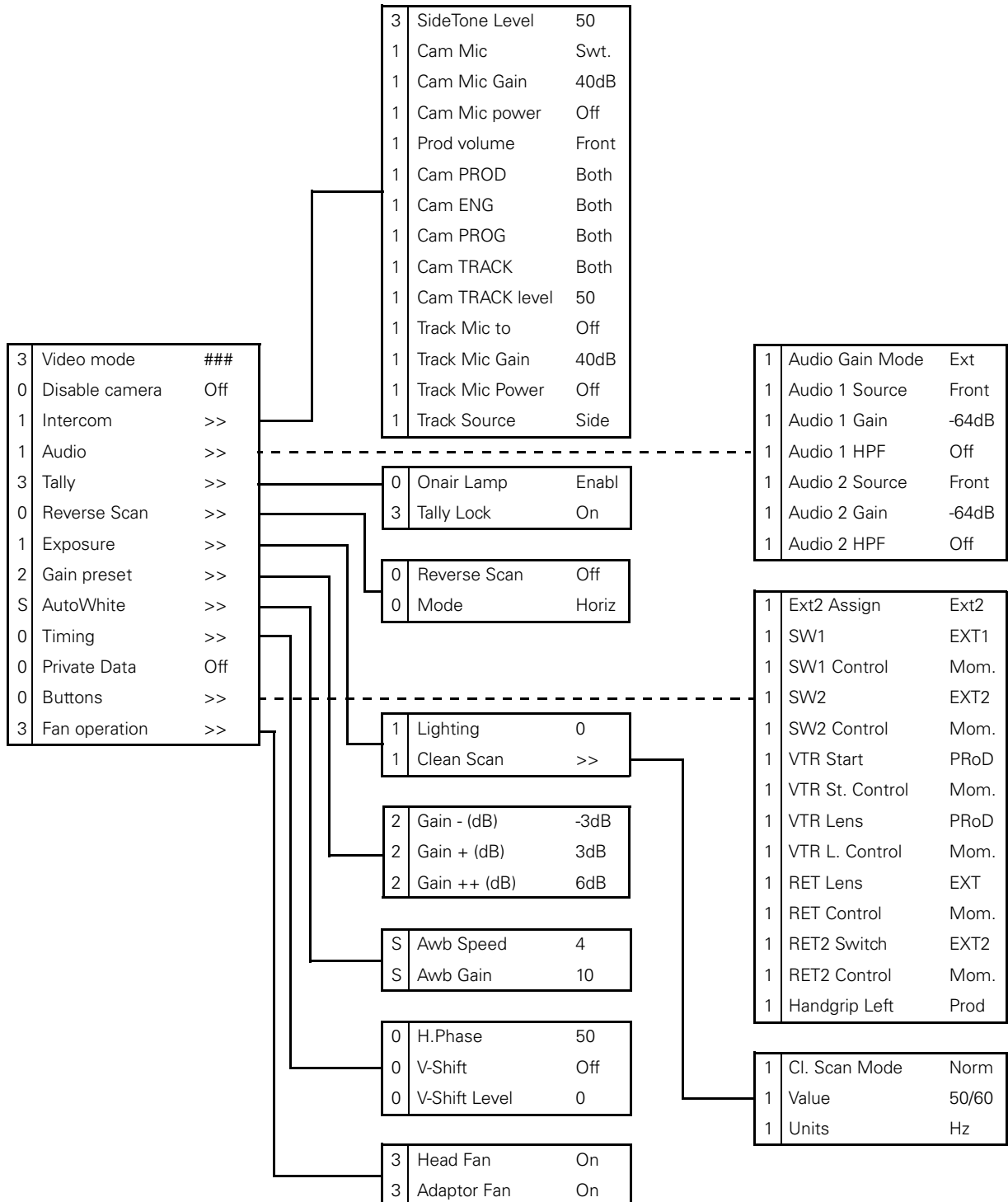


Continued on next page

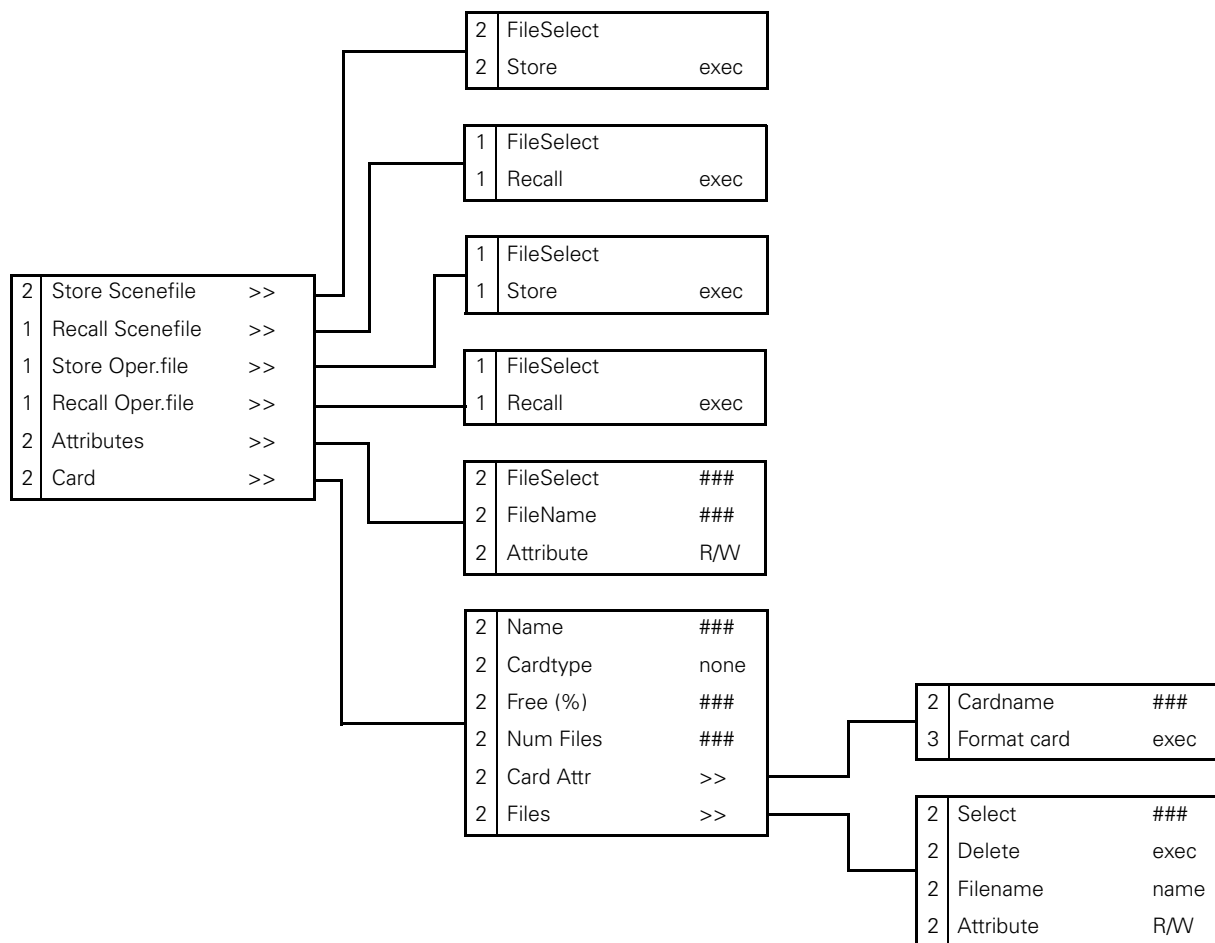
6.2.5 Video menu structure (continued)



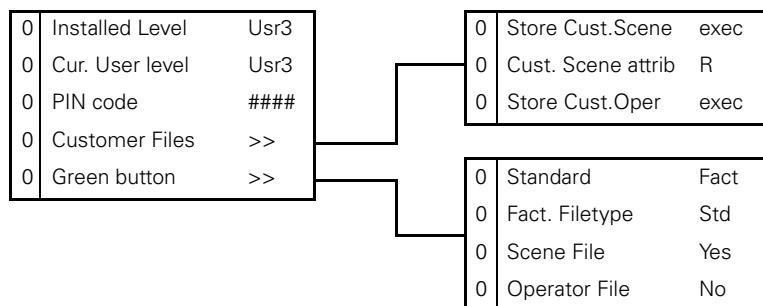
6.2.6 Install menu structure



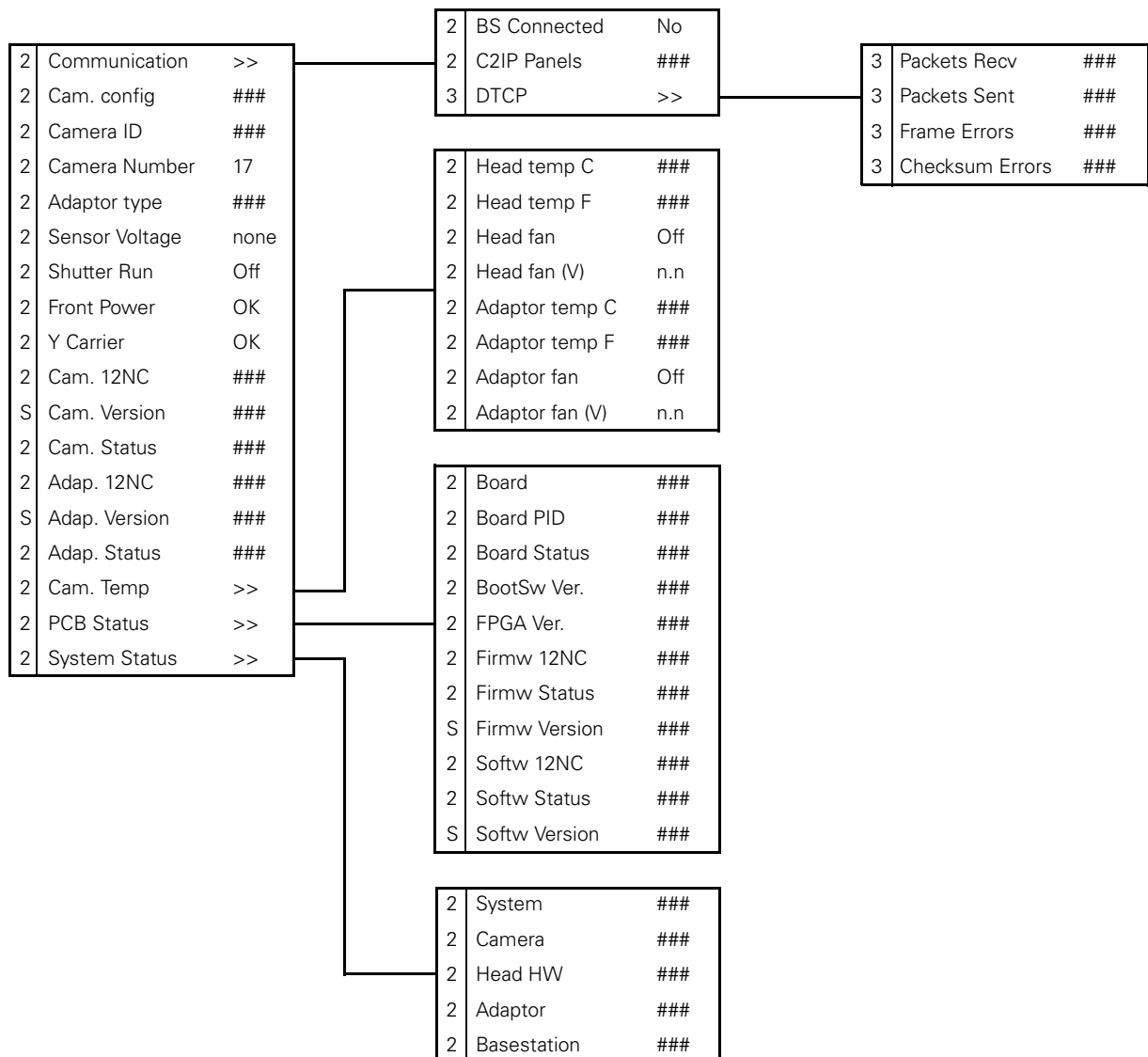
6.2.7 Files menu structure



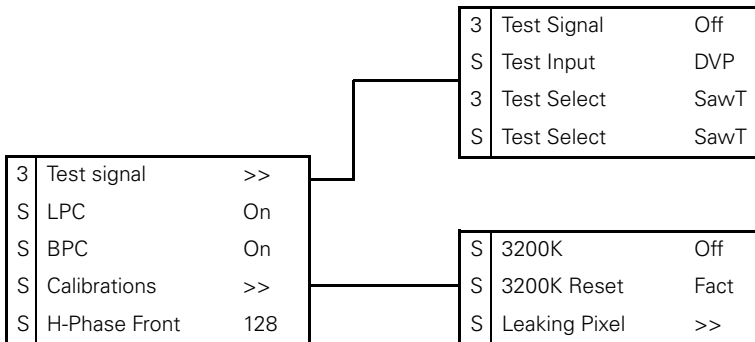
6.2.8 Security menu structure



6.2.9 Diagnostics menu structure



6.2.10 Service menu structure



6.3 Menu contents

The user level (user 0, 1, 2, 3 or Service) in the Level column indicates the user level at which this item is visible in the menu; items with numbers higher than the user level that is set on the camera are not visible in the menu. For example, if user level 2 is set, items marked with a 3 are not visible. The Service level is the highest level.

- If an item is not relevant it is not visible in the menu.
- In the Values column, the default value of the item is shown in **bold**.
- The File column indicates that the value of this item is stored in the Scene or Operator file.



Note

The items available in the camera menu depend on the version of the software loaded in your camera. The software version used to reproduce the menu items in this manual may differ from that of your camera.

6.3.1 Viewfinder menu

Viewfinder menu	Values	Description	Level	File
VF Monitoring	Y, R, G, B, -G	Selects type of signal to view in viewfinder.	User 2	Oper
VF Detail			User 0	
VF Detail	Off, On , Boost	Turns detail for viewfinder signal on or off. Set to Boost to add extra detail to the viewfinder signal.	User 0	Oper
Level	0..99 (50)	Sets detail level for viewfinder signal.	User 0	Oper
Focus Assist	On, Off	Adds a crawling effect in the focused areas in the viewfinder to assist focussing.	User 0	Oper
Zebra			User 0	
Zebra	On, Off	Turns zebra indication on or off. Zebra is a diagonal line pattern that indicates that the area affected has risen above a preset level of the full scale video exposure value. Not available when the 2-inch viewfinder is used (this viewfinder has a zebra button)	User 0	Oper
Zebra Mode	Level , Band	Selects zebra mode: Level = zebra indication appears in areas are brighter than the set level; Band = zebra indication appears in a 2.5% band around the set level.	User 3	Oper
Zebra Level (%)	0..117 (90)	Sets the exposure level at which zebra pattern is shown. When level is higher than 100% the zebra indicates overexposed areas.	User 3	Oper
Zebra Contrast	0..99 (15)	Sets the zebra indication contrast.	User 3	Oper
Center Cross	On, Off	Turns the centre marker on or off.	User 0	Oper
QoS bar	On, Off	Turns Quality of Service bar on or off (only when a Wireless adaptor is installed).	User 0	-

Viewfinder menu	Values	Description	Level	File
Focus ind.	On, Off	Turns the focus indicator in the viewfinder on or off. This indicator shows the focus distance of the lens: 0 = close-up; 99 = infinity. Note: when the Focus indicator is turned on, the Iris indicator is turned off.	User 0	-
Iris ind.	On, Off	Turns the iris indicator in the viewfinder on or off. This indicator shows the F - stop value of the iris opening of the lens. Note: when the Iris indicator is turned on, the Focus indicator is turned off.	User 0	-
Zoom ind.	On, Off	Turns the zoom indicator in the viewfinder on or off (if supported by the lens). This indicator shows the zoom range of the lens: 0 = wide angle; 99 = tele.	User 0	-
Box downright	Off, Fltr, QoS	Selects information displayed at the bottom right of the viewfinder: Off = no indicator is shown; Fltr = selected optical filter is shown; QoS = Quality of service bar is shown (only when a Wireless adaptor is installed).	User 0	Oper
Safe area	On, Off	Turns the safe area marker on or off. This marks the screen area that represents 80% of the whole viewfinder picture.	User 0	Oper
Safe area type	16:9, 15:9, 14:9, 4:3	Selects the aspect ratio of the safe area marker.	User 0	Oper
Marker	On, Off	Turns the cadre marker on or off.	User 0	Oper
Marker type	15:9, 14:9, 4:3	Sets the aspect ratio of the cadre marker.	User 0	Oper
Marker style	Dot, Shad, Both	Sets the style of the cadre marker: Dot = dotted lines; Shad = shaded areas; Both = dotted lines and shaded areas.	User 0	Oper
Marker shading	Shad, Black	Sets shading style for the cadre marker (when cadre marker style is set to Shad or Both): Shading = transparent area; Black = black area.	User 0	Oper
Ind. white	0..99 (70)	Sets the white level of the characters: 0 = low intensity; 99 = high intensity.	User 2	Oper
Ind. black	0..99 (30)	Sets the black (shading) level of the characters: 0 = black; 99 = no shading.	User 2	Oper
Display	On, Time	Selects the menu display to be permanently on or to disappear after a set time.	User 2	Oper
Menu time	3..30 (10)	Sets the length of time the menu is displayed when the Display item is set to Time.	User 3	Oper
Rotary Speed	1..10 (5)	Adjust the sensitivity of the rotary control wheel.	User 3	Oper
Notch EXT	On, Off	Turns external notch filter on or off.	User 0	-

Viewfinder menu	Values	Description	Level	File
EXT AspectRatio	16:9, 4:3	Selects aspect ratio of external video signal displayed in the viewfinder.	User 0	Oper

6.3.2 Lens menu

Lens menu	Value(s)	Description	Level	File
Lens type	Std, WA	Select a standard (Std) or wide angle (WA) type lens. This setting affects the white shading compensation for the lens.	User 0	Oper
Autolris	On, Off	Turns auto iris on or off.	User 0	-
Peak/Average	0..99 (64)	Sets the balance between peak and average video level.	User 3	Scene
Autolris SetPoint	0..99 (35)	Sets auto iris exposure level.	User 3	Scene
Mom. Iris SetPoint	0..99 (50)	Sets momentary iris setpoint level.	User 3	-
RE Iris Comp	On, Off	Turns the iris compensation on or off. Use this setting to compensate for iris level when a range extender is used.	User 0	-
Auto Iris Const				
Autolris Gain	5..10 (5)	Sets auto iris response speed: Lower values give slower speeds.	User 3	-
Ext.Iris	On, Off	Turns Extended Auto Iris on or off.	User 3	-
Ext.Iris Const				
Gain Speed	1..20 (5)	Sets the gain speed for extended auto iris.	Service	-
ExpTime Speed	1..20 (4)	Sets the exposure time speed for extended auto iris.	Service	-
Min. Iris	F5.6, F8.0, F11.0, F16.0	Sets the minimum iris value for extended auto iris.	User 3	-
Max. Iris	F1.4, F2.0 , F2.8, F4.0, F5.6	Sets the maximum iris value for extended auto iris.	User 3	-
Min. ExpTime	1/100, 1/200, 1/500	Sets the minimum exposure time value for extended auto iris.	User 3	-
Max. Gain (dB)	0..15 (15)	Sets the maximum gain value for extended auto iris.	User 3	-
Handgrip Zoom	On, Off	Enables or disables the zoom control on top of the camera handgrip.	User 0	Oper
Zoom speed	1..10 (5)	Selects the zoom control speed.	User 3	Oper
Zoom curve	0..3 (0)	Selects the zoom reaction curve.	User 3	Oper
Zoom/Focus	Loc, Rem	Selects local or remote control of the Zoom/Focus function. (Only when a SuperXpander is installed)	User 0	-
Lens I/F	Analog, Digital	Select an analog or digital lens interface.	User 0	-
Lens I/F State	OK, NotOK	Displays the status of the lens interface (when a digital lens interface is used).	User 0	-

6.3.3 Video menu

Video menu	Values	Description	Level	File
Colour temp				
Colour filter	0..99 (50)	This electronic colour filter varies the color balance to obtain warmer or colder effects for the auto-white memory positions. It resets to 50 when the next automatic white balance process is carried out.	User 2	-
Col. Temp Level	2500..20000 (3200)	Shows current variable colour temperature.	User 2	Scene
Detail				
Detail	On, Off	Turns detail enhancement on or off.	Service	Scene
Level	0..99 (30)	Sets detail enhancement level.	User 2	Scene
Source Select	R+G, R, G, Y	Selects the source to be used for detail generation.	User 3	Scene
MORE				
Vert Detail	0..99 (50)	Sets the level of the vertical component in the detail signal.	User 3	Scene
Coarse/Fine	0..99 (5)	Sets the coarseness of the detail enhancement (0 = very fine).	User 3	Scene
Level	0..99 (30)	Sets detail enhancement level.	Service	Scene
Level dep	0..99 (40)	Sets the level where the detail function starts to work.	Service	Scene
Noise Slicer	0..99 (10)	Sets the level of the noise slicer.	Service	Scene
Soft Detail				
Soft Detail	On, Off	Turns soft detail on or off. This function reduces the amount of detail added for large transitions.	User 2	Scene
Level	0..99 (70)	Sets the upper limit level of detail enhancement for soft detail.	User 2	Scene
Knee Detail	1, 2, 3, 4, Off	Selects a level of detail enhancement for the compressed signal above the knee.	User 3	Scene
Skin				
Skin	Off, 1, 2, 1+2	Turns skin detail off or on and selects the memory position. Use skin detail to change the detail level within a selected color range.	User 2	Scene
Auto Skin	On, Off	Turns auto skin detail mode on or off.	User 2	-
View	On, Off	Turn on to view the selected skin detail area.	User 2	Oper
Skin1 Level	0..99 (50)	Sets skin gate 1 detail level	User 2	Scene
Skin2 Level	0..99 (50)	Sets skin gate 2 detail level	User 2	Scene
MORE				
Width1 Red	0..99 (50)	Sets width level for skin gate 1 (red)	User 3	Scene
Width1 Blue	0..99 (50)	Sets width level for skin gate 1 (blue)	User 3	Scene

Video menu		Values	Description	Level	File
	Color1 Red	0..99 (50)	Sets color level for skin gate 1 (red)	User 3	Scene
	Color1 Blue	0..99 (50)	Sets color level for skin gate 1 (blue)	User 3	Scene
	Width2 Red	0..99 (50)	Sets width level for skin gate 2 (red)	User 3	Scene
	Width2 Blue	0..99 (50)	Sets width level for skin gate 2 (blue)	User 3	Scene
	Color2 Red	0..99 (50)	Sets color level for skin gate 2 (red)	User 3	Scene
	Color2 Blue	0..99 (50)	Sets color level for skin gate 2 (blue)	User 3	Scene
Flare					
	Flare	On, Off	Turns flare compensation on or off.	Service	Scene
	Red	0..99 (10)	Sets flare compensation level (red).	Service	Scene
	Green	0..99 (15)	Sets flare compensation level (green).	Service	Scene
	Blue	0..99 (25)	Sets flare compensation level (blue).	Service	Scene
Black					
	Blackstretch	0..99 (50)	Sets black stretch level.	User 3	Scene
	Master	0..99 (50)	Sets black level (master).	User 2	Scene
	MORE				
	Red	0..99 (50)	Sets black level (red).	User 3	Scene
	Green	0..99 (50)	Sets black level (green).	User 3	Scene
	Blue	0..99 (50)	Sets black level (blue).	User 3	Scene
	Master	0..99 (50)	Sets black level (master).	User 3	Scene
Gain					
	Red	0..99 (50)	Sets gain level (red).	User 2	Scene
	Green	0..99 (50)	Sets gain level (green).	User 2	Scene
	Blue	0..99 (50)	Sets gain level (blue).	User 2	Scene
	Range	3dB, 6dB	Selects gain control step size.	User 2	Scene
	Mastergain (dB)	-6.00..12.00	Sets video gain in dB (in steps of 0.5 dB)	User 2	Scene
Knee					
	Knee	Off, Var, Auto	Sets knee mode: Auto = automatic; Var = variable (manual); Off = no knee function.	User 2	Scene
	Knee Type	Y, NAM	Selects signal on which knee acts: Y = luminance; NAM = (non-additive mix) level of highest RGB component.	User 3	Scene
	Slope M	0..99 (50)	Sets the slope of the knee gamma curve (when knee mode = Var).	User 3	Scene
	Point M	0..99 (60)	Sets the point where the knee gamma curve begins (when knee mode = Var).	User 3	Scene
	MORE				
	Knee Limit	0..99 (99)	Selects the level above which the knee limiter is active (when Knee mode is Var)	Service	Scene

Video menu		Values	Description	Level	File
	Auto Point	0..30 (30)	Sets the point where the knee gamma curve begins (when knee mode is Auto).	Service	Scene
	Auto Ref	0..99 (30)	Sets the slope of the knee gamma curve (when knee mode is Auto).	Service	Scene
Gamma					
	Curve	BBC04, BBC05, BBC06, ARD, 6xARD, RAI, CCIR, 709-J, 709-S	Selects a standard curve for gamma correction.	User 3	Scene
	Preset	1, 2, Lin, Var	Selects gamma preset: 1 = Nominal curve; 2 = Low curve; Lin = Linearised curve; Var= variable (manual) curve.	User 2	Scene
	Master	0..99 (76)	Sets gamma level (master).	User 3	Scene
	Red	0..99 (76)	Sets gamma level (red).	User 3	Scene
	Green	0..99 (76)	Sets gamma level (green).	User 3	Scene
	Blue	0..99 (76)	Sets gamma level (blue).	User 3	Scene
Matrix					
	Matrix	EBU, Skin, B/W, RAI, BBC, 1:1, CoolFL, Var1, Var2, XGL	Selects a preset for color matrix: EBU = color matrix according to EBU Skin = EBU optimised for skin tone reproduction; B/W: monochrome picture; RAI: RAI TV optimisation; BBC = BBC optimisation; 1:1 = matrix is off; CoolFL= optimised for mixed fluorescent and incandescent lighting. Var1 = variable setting 1; Var2 = variable setting 2; XGL = Asian and Sony reproduction (advised to combine with M/G setting)	User 3	Scene
	Saturation	0..99 (50)	Sets saturation level for color matrix.	User 2	Scene
	R>G	0..99 (50)	Sets the red to green ratio.	Service	Scene
	G>R	0..99 (50)	Sets the green to red ratio.	Service	Scene
	R>B	0..99 (50)	Sets the red to blue ratio.	Service	Scene
	B>R	0..99 (50)	Sets the blue to red ratio.	Service	Scene
	G>B	0..99 (50)	Sets the green to blue ratio.	Service	Scene
	B>G	0..99 (50)	Sets the blue to green ratio.	Service	Scene
	Mat/Gam	G/M, M/G	Selects the order of the matrix and gamma functions: G/M = first gamma correction, then matrix; M/G = first matrix, then gamma correction (advised to use when matching to cameras of other manufacturers)	Service	Scene
ColCorr					
	Corrector	Off, On	Turns color corrector on or off. All active sets are used when corrector is on.	User 3	Scene

Video menu		Values	Description	Level	File
	CC View	Off, On	Turn on to view the selected color area. When CC View is on, Skin detail view is turned off.	User 3	-
	Set	1,2,3,4,5,6	Selects a color correction set.	User 3	-
	Set OnOff	Off, On	Turns the selected color corrector set on or off. When turned off, parameters can not be changed.	User 3	-
	Color	0..359.99 (0)	Sets the color area by hue (in steps of 22.5 degrees)	User 3	-
	Width	22.50..360.00 (101/213/337)	Sets the color area hue width (in degrees).	User 3	-
	Hue	-180.00..180.00 (112/112/135)	Sets the hue shift (in degrees) for the selected color area.	User 3	-
	Sat	0..99 (0)	Sets the saturation level for the selected color area.	User 3	-
	Lum	0..99 (0)	Sets the luminance level for the selected color area.	User 3	-
	Name	MG-, MG, MG+, R, R+, YL-, YL, YL+, G-, G, G+, CY, CY+, B-, B, B+	Color area name (read only) B: Blue MG: Magenta R: Red YL: Yellow G: Green CY: Cyan	-	-
	Smoothing	Sharp, Medium, Smooth	Selects method used for smoothing the transition between affected and non-affected area.	User 3	Scene
	Reset CC	Exec	Resets the color corrector to its default values. All sets are reset.	User 3	-
White limiter					
	White Limit	Off, On	Turns white limiter on or off. Use to limit highlight levels in the video signal.	Service	Scene
	Master	0..99 (80)	Sets the white limiter level. This is the luminance level at which white limiting occurs.	Service	Scene
Shading					
	White shading	Off, On	Turns the white shading compensation on or off.	Service	-
	HSawRed	0..99 (50)	Sets the horizontal sawtooth value (red).	Service	-
	HSawGreen	0..99 (50)	Sets the horizontal sawtooth value (green).	Service	-
	HSawBlue	0..99 (50)	Sets the horizontal sawtooth value (blue).	Service	-
	VSawRed	0..99 (50)	Sets the vertical sawtooth value (red).	Service	-
	VSawGreen	0..99 (50)	Sets the vertical sawtooth value (green).	Service	-
	VSawBlue	0..99 (50)	Sets the vertical sawtooth value (blue).	Service	-
	HParRed	0..99 (0)	Sets the horizontal parameter (red).	Service	-
	HParGreen	0..99 (0)	Sets the horizontal parameter (green).	Service	-
	HParBlue	0..99 (0)	Sets the horizontal parameter (blue).	Service	-

Video menu		Values	Description	Level	File
	VParRed	0..99 (0)	Sets the vertical parameter (red).	Service	-
	VParGreen	0..99 (0)	Sets the vertical parameter (green).	Service	-
	VParBlue	0..99 (0)	Sets the vertical parameter (blue).	Service	-
Freeze		Off, On	Turns image freeze on or off. Use to assist off line setup and configuration of the camera.	User 2	-
Noise reduction		Off, 1, 2, 3	Turns noise reduction off or on and selects the noise reduction level: Off: no reduction; 1: low reduction; 2: medium reduction 3: strong reduction.	User 2	-

6.3.4 Install menu

Install	Values	Description	Level	File
Video Mode	<available modes>	Selects a video acquisition mode (available modes depend on your camera version).	User 3	-
Disable Camera	Off, On	Turn disable camera function on or off. When on, the camera's user panel is locked.	User 0	-
Intercom				
SideTone Level	0..99 (50)	Sets the sidetone level (audio feedback to the headphone) in the camera operator's headphone.	User 3	Oper
Cam Mic	Off, Switch , Track, Prod	Selects the camera operator's intercom mic routing: Off = no routing; Switch = intercom route depends on switch at the rear of the adaptor; Track = route signal to tracker channel; Prod = route signal to production channel.	User 1	Oper
Cam Mic Gain	0dB, 40dB	Selects gain of camera operator's intercom mic.	User 1	Oper
Cam Mic Power	Off, On	Turns +12V bias Tee power to camera operator's intercom mic on or off.	User 1	Oper
Prod volume	Front, Rear	Selects volume control used to adjust Production channel volume.	User 1	Oper
Cam PROD	Off, Left, Right, Both	Selects the camera operator's ear muff(s) for the production channel.	User 1	Oper
Cam ENG	Off, Left, Right, Both	Selects the camera operator's ear muff(s) for the engineering channel.	User 1	Oper
Cam PROG	Off, Left, Right, Both	Selects the camera operator's ear muff(s) for the program channel.	User 1	Oper
Cam TRACK	Off, Left, Right, Both	Selects the camera operator's ear muff(s) for the tracker channel.	User 1	Oper
Cam TRACK Level	0..99 (50)	Sets tracker signal level in the camera operator's headphones.	User 1	Oper
Track Mic To	Off, Cam, Eng, Prod, All	Selects the tracker mic routing.	User 1	Oper
Track Mic Gain	0dB, 40dB	Selects gain of camera Tracker's intercom mic.	User 1	Oper
Track Mic Power	Off, On	Turns +12V bias tee power Tracker's mic on or off.	User 1	Oper
Track Source	Eng, Side	Selects engineering intercom or tracker's mic sidetone for tracker's headphone.	User 1	Oper
Audio				
Audio ip mode	Ch1, Ch1&2	Selects audio input mode: Channel 1 or Channel 1 and 2 (Only when a Wireless adaptor is installed)	User 1	Oper
Audio Gain Mode	Loc, Ext	Selects audio gain mode: Loc: audio gain levels is controlled by the camera (local); Ext: audio gain level is controlled by the base station (external).	User 1	Oper

Install		Values	Description	Level	File
	Audio 1 Source	Line, Mic, Mic48, Front	Selects source for audio channel 1 (Only when a Wireless adaptor is installed)	User 1	Oper
	Audio 1 Level	-22dB, -28dB, -34dB, -40dB, -46dB, -52dB, -58dB, -64dB	Sets input gain level for audio channel 1 (when audio gain mode is set to local).	User 1	Oper
	Audio 1 HPF	Off , On	Turns high-pass filter for audio channel 1 on or off. Use to reduce 50 Hz and 60 Hz hum or low frequency noise.	User 1	Oper
	Audio 2 Source	Line, Mic, Mic48, Front	Selects source for audio channel 2 (Only when a Wireless adaptor is installed)	User 1	Oper
	Audio 2 Level	-22dB, -28dB, -34dB, -40dB, -46dB, -52dB, -58dB, -64dB	Sets input gain level for audio channel 2 (when audio gain mode is set to local).	User 1	Oper
	Audio 2 HPF	Off , On	Turns high-pass filter for audio channel 2 on or off. Use to reduce 50 Hz and 60 Hz hum or low frequency noise.	User 1	Oper
Tally					
	Onair Lamp	Enable , Disable	Select enable when the tally light at the front of the 7-inch viewfinder has to follow the tally signal; select disable if you never want it to light.	User 0	Oper
	Tally Lock	Off, On	Turns tally lock function on or off. When tally lock is on, some camera controls are locked when camera is on air.	User 3	-
Reverse Scan					
	Reverse Scan	Off , On	Turns reverse scan on or off.	User 0	Scene
	Mode	Horiz , Vert, Both	Selects reverse scan mode: Horiz = the image is flipped horizontally; Vert = the image is flipped vertically; Both = the image is flipped both horizontally and vertically.	User 0	Scene
Exposure					
	Lighting	-10..+10 (0)	Sets the exposure correction to fine-adjust for ambient lighting frequency when exposure mode is 50 Hz or 60 Hz.	User 1	Scene
Clean Scan					
	Cl.Scan Mode	Extended, Normal	Selects clean scan mode: Normal (VAR2 on OCP/MCP) = shutter is running (no smear); Extended (VAR1 on OCP/MCP) = shutter is not running (more accurate clean scan but possible vertical smear).	User 1	-
	Value	50.8.. 125.0 Hz (50 Hz) / 61.0 .. 150.0 Hz (60 Hz) or 19.6 .. 7.9 ms (50 Hz) / 16.3 .. 6.6 ms (60 Hz)	Select clean scan frequency.	User 1	-
	Units	Hz , mSec	Selects display units for clean scan.	User 1	-
Gain Preset					
	Gain - (dB)	-3dB , -6dB	Selects gain value for - preset.	User 2	Oper

Install		Values	Description	Level	File
	Gain + (dB)	3dB, 6dB, 9dB	Selects gain value for + preset.	User 2	Oper
	Gain ++ (dB)	6dB, 9dB, 12dB	Selects gain value for ++ preset.	User 2	Oper
AutoWhite					
	Awb Speed	0..99 (4)	Sets the speed for the auto white balance procedure.	Service	-
	Awb Gain	0..99 (10)	Sets the gain value for the auto white balance procedure.	Service	-
Timing					
	H.Phase	0..99 (50)	Sets the horizontal phase output signal.	User 0	-
	V-shift	Off, On	Turns V-shift on or off. Used to synchronize the camera with DLP type projectors or to hide the horizontal bar of CRT monitors. Only available for a limited number of video modes.	User 0	Scene
	V-shift Level	0..99 (0)	Sets the variable video delay from 0 to 1 frame.	User 0	Scene
	PCI id	0..8 (1)	Selects ID for external PC operation.	Service	-
	Main text insert	Auto, On, Off	Selects VF text insert mode: Auto = inserts VF text at the Base Station video output when activated from the OCP/MCP; On = always inserts VF text; Off = never inserts VF text.	User 3	-
	HD-SDI(B) Video	Main, VF	Selects the output signal on the HD-SDI(B)/VF connector: Main: the main camera signal is output VF: the viewfinder signal (with markers, indicators and text overlay) is output.	User 3	-
Buttons					
	Ext2 Assign	EXT2, EXT3	(Only for HD Fiber adaptor) When set to EXT3, the EXT3 video input from the Base Station is used when EXT2 is selected in the camera.	User 0	Oper
	SW1	Call, EXT1, EXT2	Assigns a function to Switch 1: Call = activate call signal; EXT1 = switch VF to external signal 1; EXT2 = switch VF to external signal 2.	User 0	Oper
	SW1 Control	Mom., Alt.	Selects behaviour of Switch 1: momentary or alternating..	User 0	Oper
	SW2	Elris, FocAst, EXT1, EXT2	Assigns a function to Switch 2: Elris = Turns extended auto iris on or off; FocAst = Turns focus assist on or off; EXT1 = switch VF to external signal 1; EXT2 = switch VF to external signal 2.	User 0	Oper
	SW2 Control	Mom., Alt.	Selects behaviour of Switch 2 momentary or alternating..	User 0	Oper

Install	Values	Description	Level	File
VTR Start	PROD, ENG , Zoom, EXT1, EXT2	Assigns a function to VTR Start switch: PROD = Production intercom; ENG = Engineering intercom; Zoom = Viewfinder zoom function; EXT1 = switch VF to external signal 1; EXT2 = switch VF to external signal 2.	User 1	Oper
VTR St. Control	Mom., Alt.	Selects behaviour of VTR Start switch: momentary or alternating.	User 1	Oper
VTR Lens	PROD, ENG , Zoom, EXT1, EXT2	Assigns a function to VTR Lens switch: PROD = Production intercom; ENG = Engineering intercom; Zoom = Viewfinder zoom function; EXT1 = switch VF to external signal 1; EXT2 = switch VF to external signal 2.	User 1	Oper
VTR L. Control	Mom., Alt.	Selects behaviour of VTR Lens switch: momentary or alternating.	User 1	Oper
RET Lens	Zoom, EXT, FocAst	Assigns a function to RET Lens switch: Zoom = Viewfinder zoom function; EXT = switch VF to external signal (select EXT1 or 2 with the switch at the rear of the camera); FocAst = Focus assist function.	User 1	Oper
RET Control	Mom, Alt.	Selects behaviour of RET Lens switch: momentary or alternating.	User 1	Oper
RET2 Switch	Zoom, EXT	Assigns a function to RET2 Lens switch: Zoom = Viewfinder zoom function; EXT = switch VF to external signal (select EXT1 or 2 with the switch at the rear of the camera);	User 1	Oper
RET2 Control	Mom., Alt.	Selects behaviour of RET2 lens switch: momentary or alternating..	User 1	Oper
2" VF Option	None, Disab	Selects behaviour of the Option switch on the control panel of the 2-inch viewfinder.	User 1	Oper
Handgrip Left	PROD, ENG	Selects intercom channel to use with the left button under the handgrip.	User 1	Oper
Fan Operation				
Head Fan	Off, On	Turns the head fan on or off. Turns itself on after 120 min. or when temperature is too high.	User 3	-
adaptor Fan	Off, On	Turns the adaptor fan on or off. Turns itself on after 120 min. or when temperature is too high.	User 3	-

6.3.5 Files menu

Files menu	Values	Description	Level	File
Store scenefile				
FileSelect	Standard, SCam1..4, SCard1..20, <new file>	Selects a standard, camera-stored or card-stored scene file to be restored.	User 2	-
Store	exec	Stores the current scene settings in the selected scenefile.	User 2	-
Recall scenefile				
FileSelect	Standard, SCam1..4, SCard1..20, <new file>	Selects a standard, camera-stored or card-stored scene file to recall.	User 1	-
Recall	exec	Recalls the selected scene file to the camera. Overwrites current scene settings.	User 1	-
Store oper.file				
FileSelect	Standard, OCam1..4, OCard1..20, <new file>	Selects a standard, camera-stored or card-stored operator file to be restored.	User 1	-
Store	exec	Stores the current scene settings in the selected operator file.	User 1	-
Recall oper.file				
FileSelect	Standard, OCam1..4, OCard1..20, <new file>	Selects a standard, camera-stored or card-stored operator file to recall.	User 1	-
Recall	exec	Recalls the selected operator file to the camera. Overwrites current operator settings.	User 1	-
Attributes				
FileSelect	<available files>	Selects a file to change its attributes.	User 2	-
FileName	<file name>	Displays the selected file name.	User 2	-
Attribute	R/W, R	Selects the attribute for the selected file: R/W = Read and write; R = Read only.	User 2	-
Card				
Name	<card name>	Displays the card name.	User 2	-
Cardtype	None, Storage, Owner, Serv 1, Serv 2, Unknown	Displays the type of inserted card.	User 2	-
Free (%)	0..99 (0)	Displays free space left on the card.	User 2	-
Num Files	0..255 (0)	Displays number of files on the card.	User 2	-
Card Attr				
Cardname	<card name>	Changes name of the card.	User 2	-
Format card	exec	Format card.	User 3	-
Files				
Select	SCard1..SCard2, OCard1..OCard10	Selects a file on the card.	User 2	-
Delete	exec	Deletes the selected file.	User 2	-
Filename	<name>	Changes name of the selected file.	User 2	-
Attribute	R/W, R	Sets file attribute of the selected file.	User 2	-

6.3.6 Security menu

Security menu	Values	Description	Level	File
Installed level	User 0, User 1, User 2, User 3	Selects the user level.	User 0	-
Cur. user level	No Oper, User 0, User 1, User 2, User 3, Serv 1	Displays the current user level.	User 0	-
PIN Code	**** (0000)	Enter four digit PIN code to enable access to the S level.	User 0	-
Customer files				
Store Cust. Scene	exec	Stores the current scene settings to the customer scene file.	User 0	-
Cust. Scene attrib.	R/W, R	Selects the attribute for the customer scene file: R/W = Read and write; R = Read only.	User 0	-
Store Cust. Oper	exec	Stores the current operator settings to the customer operator file.	User 0	-
Green button				
Standard	Fact, Cust	Selects file to be recalled when the green button is pressed: Fact = factory defaults; Cust = Customer file; Note: this setting is valid for both the Scene file and the Operator file (when selected).	User 0	-
Scene file	Yes, No	Determines if the scene file should be recalled when the Green button is pressed.	User 0	-
Operator file	Yes, No	Determines if the operator file should be recalled when the Green button is pressed.	User 0	-
Factory Defaults	exec	Resets the camera to the factory defaults for all functions.	Service	-

6.3.7 Diagnostics menu

Diagnostics menu	Value(s)	Description	Level	File
Communication				
BS Connected	Yes, No	Displays base station connection status.	User 2	-
C2IP Panels	0..99	Displays amount of C2IP control panels connected to the camera.	User 2	-
Transmission				
BS->CAM				
Signal Status	OK, Critic, Error, NoSig	Displays Fiber optical signal status.	User 0	
RX Margin (dB)	-100..100 (0)	Displays Fiber optical margin.	User 0	
CAM->BS				
Signal Status	OK, Critic, Error, NoSig	Displays Fiber optical signal status.	User 0	
RX Margin (dB)	-100..100 (0)	Displays Fiber optical margin.	User 0	
Transm. Details				
Opt. Module	Unknown , FTLF1424P2	Displays installed optical module type.	Service	
RX Power (uW)	0..65535 (0)	Displays current received optical power in microwatts.	Service	
RX Power (dBm)	-100..100 (0)	Displays current received optical power in dBm	Service	
TX Power (uW)	0..65535 (0)	Displays current transmitted optical power in microwatts.	Service	
TX Power (dBm)	-100..100 (0)	Displays current transmitted optical power in dBm	Service	
Module Temp (C)	-40..125 (0)	Displays the internal module temperature in C.	Service	
Module Temp (F)	-40..125 (0)	Displays the internal module temperature in F	Service	
Optical Signal	OK, Loss	Displays optical connection status.	Service	
RX Locked	No , Yes	Displays status of locked received signal.	Service	
Frame Locked	No , Yes	Displays locked frame status.	Service	
Cam. Config	INVALID, 4000MK2, 5000, 6000, 6200, 8000	Displays camera system configuration.	User 2	-
Camera ID	xxxxxxx	Displays camera identification code.	User 2	-
Camera Number	0..99	Displays logical camera number in the network.	User 2	-
Adaptor type	None , Triax, Fiber, Wireless, NonTriax	Displays type of the attached camera adaptor.	User 2	-
Sensor Voltage	OK, NotOK	Displays sensor voltage status.	User 2	-
Shutter Run	Run, Off	Displays shutter run status.	User 2	-
Front Power	OK, NotOK	Displays front (imager) power status.	User 2	-
Y Carrier	OK, NotOK	Displays Y carrier status.	User 2	-
Cam. 12NC	####	Displays last 4 digits of the camera 12NC.	User 2	-
Cam. Version	<version>	Displays camera version.	Service	-

Diagnosics menu	Value(s)	Description	Level	File
Cam. Status	0..99	Displays camera status.	User 2	-
Adap. 12NC	####	Displays last 4 digits of the adaptor 12NC.	User 2	-
Adap. Version	<version>	Displays adaptor version.	Service	-
Adap. Status	0..99	Displays adaptor status.	User 2	-
Cam Temp				
Head temp C	-55..128	Displays camera head temperature in C.	User 2	-
Head temp F	-67..262	Displays camera head temperature in F.	User 2	-
Head fan (V)	n.n	Displays camera head fan voltage.	User 2	-
Head fan	Off, Var	Displays camera head cooling fan status.	User 2	-
Adaptor temp C	-55..128	Displays adaptor temperature in C.	User 2	-
Adaptor temp F	-67..262	Displays adaptor temperature in F.	User 2	-
Adaptor fan	Off, Var	Displays adaptor cooling fan status.	User 2	-
Adaptor fan (V)	n.n	Displays adaptor fan voltage.	User 2	-
PCB Status				
Board	DVP, SyncM, PPG, PPGsb, SeDa, LSP, RCB, PrePr, FSP, DaCam , FrDri, DacOu, FwDri, Front	Selects a board to display detailed information.	User 2	
Board PID	<id>	Displays Product ID of the selected board.	User 2	
Board 12NC	####	Displays the last 4 digits of the 12NC of the selected board.	User 2	
Board Status	0..99	Displays the hardware status of the selected board.	User 2	
BootSw Ver.	0..99	Displays the boot software version of the selected board.	User 2	
FPGA Ver.	0..99	Displays the FPGA version of the selected board.	User 2	
Firmw 12NC	####	Displays the last 4 digits of the firmware 12NC of the selected board.	User 2	
Firmw Status	0..99	Displays the firmware status of the selected board.	User 2	
Firmw Version	0..99	Displays the firmware version of the selected board.	Service	
Softw 12NC	####	Displays the last 4 digits of the 12NC of the software of the selected board.	User 2	
Softw Status	0..99	Displays the software status of the selected board.	User 2	
Softw Version	0..99	Displays the software version of the selected board.	Service	
System Status				
System	Unknown, HD, HD-HS, SD, Illegal	Displays the system configuration.	User 2	
Camera	Unknown, HD, HD-HS, SD, Illegal	Displays the camera configuration.	User 2	

Diagnostics menu		Value(s)	Description	Level	File
	Head HW	Unknown, HD, HD-HS, SD, Illegal	Displays the camera head hardware configuration.	User 2	
	Adaptor	Unknown, HD, HD-HS, SD, Illegal	Displays the adaptor configuration.	User 2	
	Basestation	Unknown, HD, HD-HS, SD, Illegal	Displays the base station configuration.	User 2	

6.3.8 Service menu

Service menu	Value(s)	Description	Level	File
Test Signal				
Test Signal	Off, On	Turns video test signal on or off.	User 3	-
Test Input	DacO, DVP	Selects test input point.	Service	-
Test Select	SawT, Step	Selects test waveform type at DVP.	User 3	-
Test Select	SawT, Bars	Selects test waveform type at DAC O.	Service	-
LPC	Off, On	Turns Leaking Pixel Correction on or off.	Service	-
BPC	Off, On	Turns Black Pixel Correction on or off.	Service	-
Calibrations				
3200K	Off, On	Runs 3200K calibration procedure.	Service	-
3200K Reset	Fact, Cust	Selects reset mode for 3200K calibration.	Service	-
H-Phase Front	0..255 (128)	Sets horizontal phase for front.	Service	-

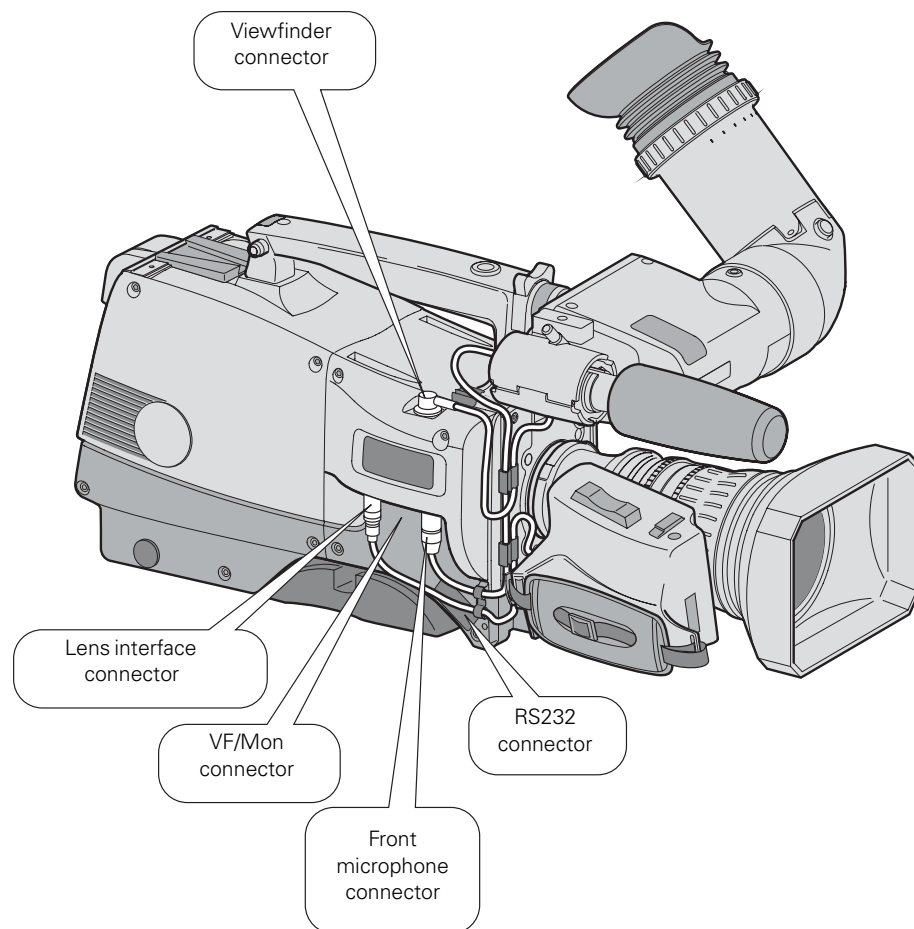
Chapter 7

Connectors

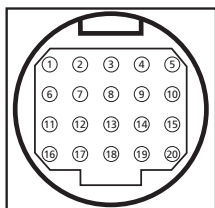
7.1 Camera head

7.1.1 Connectors on the LDK 8000 Elite/4000 Elite camera head

Figure 7-1. Camera connector location



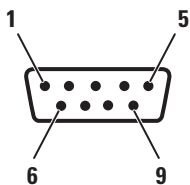
VF -connector



20-pin female VF-connector

Pin	Description	Pin	Description
1	-80 VDC	11	GND
2	Not connected	12	VF video
3	GND	13	Pb VF return
4	INTN-D	14	Pr VF return
5	VF Ext video	15	GND
6	Not connected	16	+ Batt
7	VF video return	17	+ Batt
8	SDA-D	18	Pb VF
9	SCL-D	19	+Pr VF
10	VF Ext video return	20	Shield

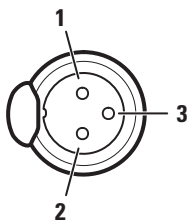
RS-232 connector



D-Sub 9-pin male connector

Pin	Description
1	Not connected
2	RxD
3	TxD
4	DTR
5	DGND
6	DSR
7	RTS
8	CTS
9	+12 VDC

Front microphone connector



XLR 3-pin female connector

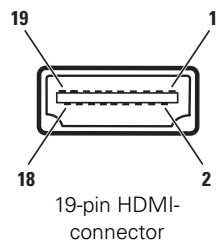
Pin	Description
1	Audio shield
2	Audio In (+)
3	Audio Return (-)

Microphone impedance >200 Ω

Sensitivity range: -70 to -28 dBm

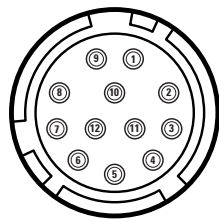
Signal at pin 2 of audio input is in phase with signal at pin 2 of audio output.

VF/Mon connector



Pin	Description	Pin	Description
1	TDMS Data 2+	11	TDMS Clock shield
2	TDMS Data 2 Shield	12	TDMS clock -
3	TDMS Data 2 -	13	CEC
4	TDMS Data 1+	14	Not connected
5	TDMS Data 1 Shield	15	SCL
6	TDMS Data 1-	16	SDA
7	TDMS Data 0+	17	GND
8	TDMS Data 0 shield	18	+5 VDC power
9	TDMS Data 0-	19	Hot Plug Detect
10	TDMS Clock+		

Lens interface connector



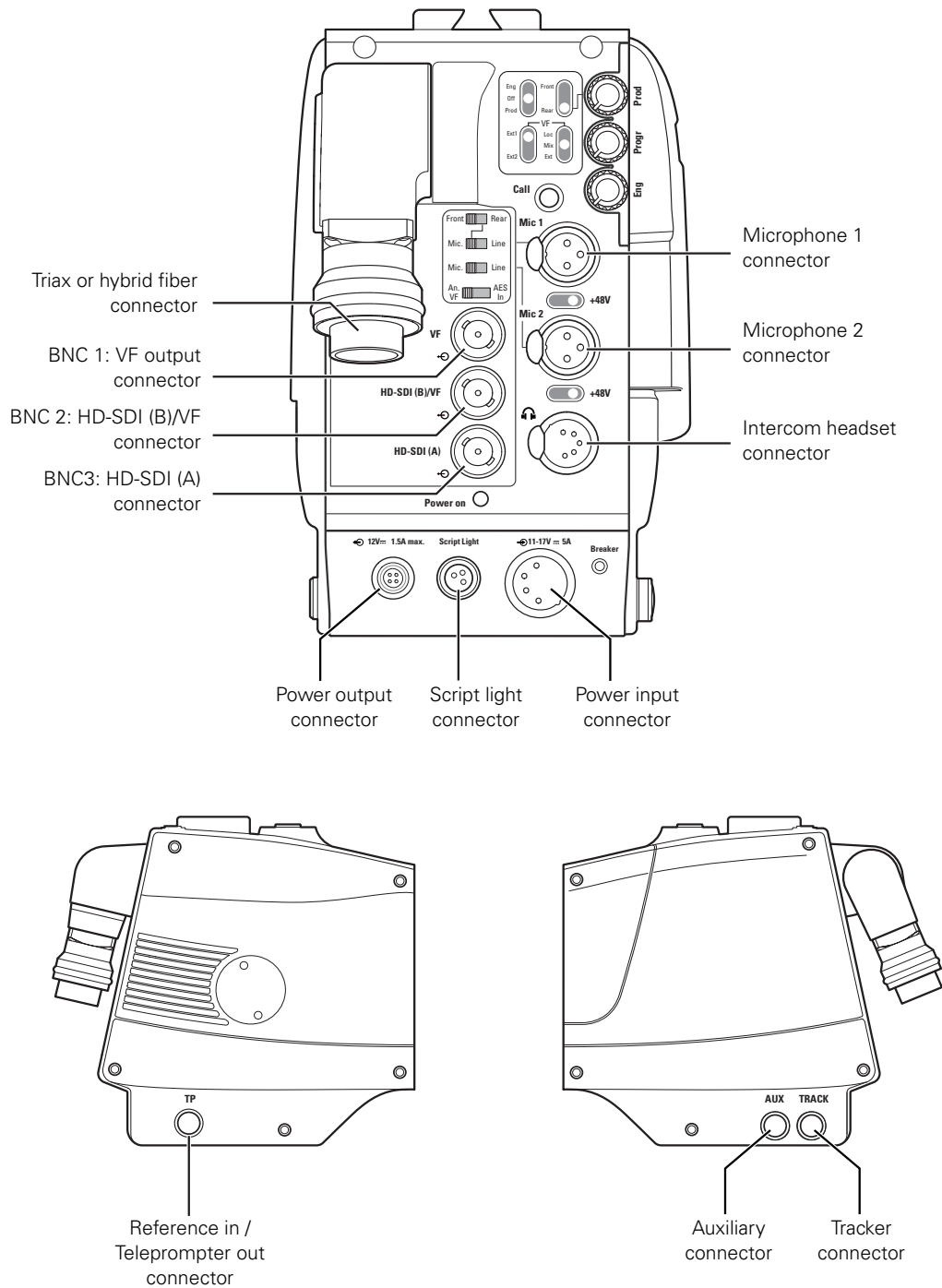
Pin	Description	Pin	Description
1	Ext. Video On/Off	7	Iris Follow
2	VTR Switch	8	Lens Servo
3	- Batt	9	Range Extender
4	Momentary Iris	10	Zoom follow
5	Iris Control	11	Focus follow *)
6	+ Batt	12	Not connected

*) this is not a default function of all types of lenses.

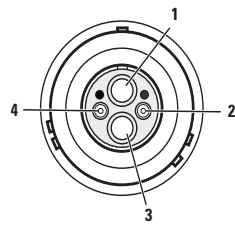
7.2 Camera adaptors

7.2.1 Connectors on the LDK 5861 TriaxHD and LDK 5880 HD Fiber adaptor

Figure 7-2. Adaptor connector location



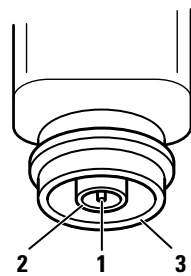
Hybrid fiber connector (for LDK 5880 HD Fiber adaptor)



Pin	Description
1	Optic fiber channel A
2	Power supply return
3	Optic fiber channel B
4	Power supply

Note: Various types of hybrid fiber connector are available.

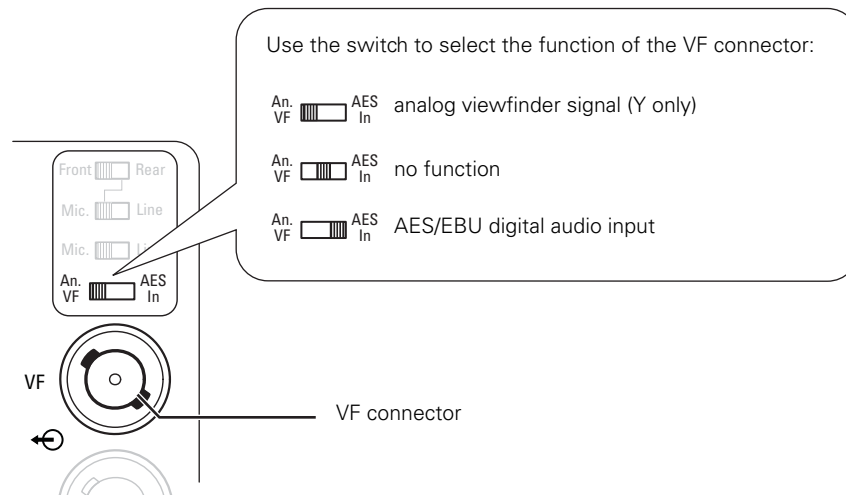
Triax connector (for LDK 5461 TriaxHD adaptor)



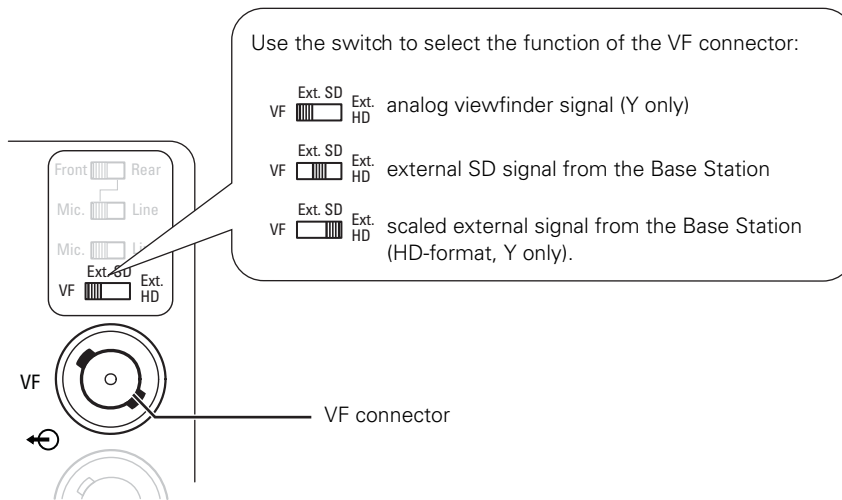
Pin	Description
1	Centre pin: Power and signals
2	Inner shield: Return
3	Outer shield: housing

Note: Various types of Triax connector are available.

BNC 1: VF connector (for LDK 5880 HD Fiber adaptor)



BNC 1: VF connector (for LDK 5861 TriaxHD adaptor)



BNC 2: HD-SDI(B)/VF connector



BNC connector

For LDK 5880 HD Fiber adaptor: This socket is used to output the camera HD-SDI (main) video signal OR the VF signal. Select the signal (Main or VF) in the install > HD-SDI(B)Video menu.

For LDK 5861 TriaxHD adaptor: This socket is used to output the camera's digital VF signal.

Refer to "Video modes" on page 57 for a detailed description of the video output signal on this connector.

BNC 3: HD-SDI(A) connector



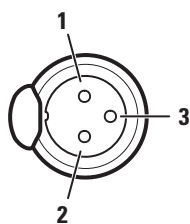
BNC connector

For LDK 5880 HD Fiber adaptor: This socket is used to output the external video signal coming from the Base Station. Select the external signal (EXT1 or EXT2/3) with the External video signal switch at the back panel.

For LDK 5861 TriaxHD adaptor: This socket is used to output the camera HD-SDI (main) video signal.

Refer to "Video modes" on page 57 for a detailed description of the video output signal on this connector.

Microphone 1 & 2 connectors



XLR 3-pin female

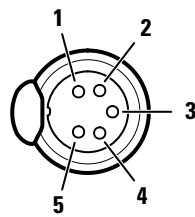
Pin	Description
1	Audio shield
2	Audio In (+)
3	Audio Return (-)

Microphone impedance > 200 Ω
Phantom power +48V switchable
Sensitivity range microphone: -64 to -22 dBu

Sensitivity range line: +10 to +42 dBu

Signal at pin 2 of audio input is in phase with signal at pin 2 of audio output.

Intercom headset connector



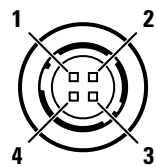
XLR 5-pin female

Pin	Description
1	Microphone return
2	Microphone
3	Telephone return
4	Telephone left
5	Telephone right

Microphone level: -64 dBu / -24 dBu
switchable Microphone impedance:
> 600 Ω

Output level: +6 dBu nominal
Output impedance: < 50 Ω

Power output connector



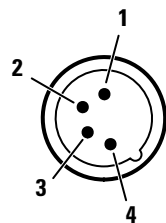
Hirose 4-pin female

Pin	Description
1	GND
2	On Air
3	Not connected
4	+12 VDC (max. 18 W)

Shield of cable directly to the connector housing.

The socket provides access to an internal tally switch. When the camera is On Air, the contact of the internal relay is closed (contact between pin 1 and pin 2).

Power input connector



XLR 4-pin male

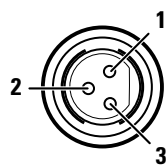
Pin	Description
1	GND
2	GND (bridged to pin 1)
3	11.5 - 17 VDC (bridged to pin 4)
4	11.5 - 17 VDC

This socket accepts a DC voltage of 15 VDC nominal.

**Caution**

The input voltage must not exceed +17 VDC.

Script light connector



Fischer 3-pin female connector

Pin	Description
1	+12 VDC (max. 3 W)
2	GND
3	Shield

Reference input / teleprompter output connector



BNC connector

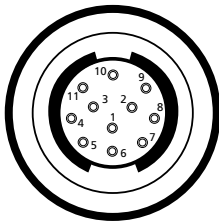
Reference input (Stand alone mode)

This connector is used to genlock the camera to a 0.6 Vpp HD tri-level reference input signal.

Teleprompter output (Base Station connected)

This socket supplies the 1.0 Vpp teleprompter video signal coming from the Base Station.

Auxiliary connector



Fischer 11-pin female connector

Pin	Description
1	+5 VL
2	0 VL
3	AN0
4	AN1
5	Not connected
6	On Air / Not connected

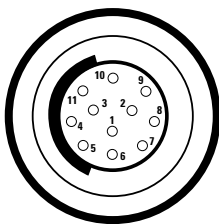
Pin	Description
7	Private Data (Cam to BS)
8	GND
9	Private Data (BS to Cam)
10	GND
11	Shield

Private data input signals:
 "0" < 0.8 VDC; "1" > 2.4 VDC
 max. level: +/-12 VDC
 input impedance: > 100 kΩ
 baud rate: 2400 bits/s nom.; 4800 bits/s max.

Private data output signals:
 CMOS levels: +5 VDC
 output impedance: < 1 kΩ

Analog outputs (AN0 and AN1):
 output level: 0 to +5 VDC
 output impedance: 100 Ω

Tracker connector



Fischer 11-pin female connector

Pin	Description
1	On Air return
2	Tracker microphone return
3	Tracker microphone input
4	Production tracker
5	Sidetone/engineering tracker
6	Intercom return

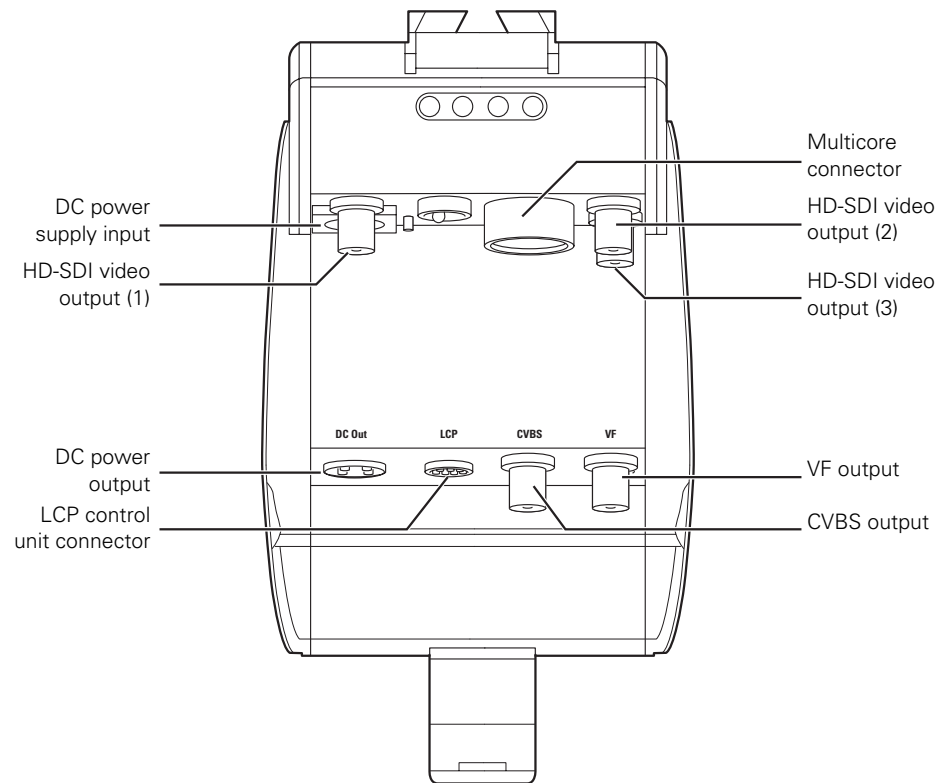
Pin	Description
7	Program sound tracker
8	Cameraman microphone
9	Tally control tracker (CMOS level, R _{out} = 1 kΩ)
10	+12 VDC (I _{max} = 100 mA)
11	+12 VDC return

Microphone level: -64 dBu/-24 dBu switchable
 Microphone impedance: > 600 Ω

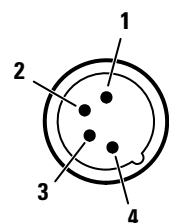
Intercom output level: nom. 0 dBu , max +6 dBu
 Intercom output impedance: < 200 Ω

7.2.2 Connectors on the LDK 5490 HD-SDI adaptor

Figure 7-3. LDK 5490 HD-SDI adaptor connector location



Power input connector



XLR 4-pin male

Pin	Description
1	GND
2	GND (bridged to pin 1)
3	11.5 - 17 VDC (bridged to pin 4)
4	11.5 - 17 VDC

This socket accepts a DC voltage of 15 VDC nominal.



Caution

The input voltage must not exceed +17 VDC.

HD-SDI video output connectors (3x)



BNC connector

These BNC connectors each supply a HD-SDI video output (Y/Cr/Cb 4:2:2)

CVBS output connector



BNC connector

This socket provides a 1.0 Vpp CVBS analog output video signal for monitoring.

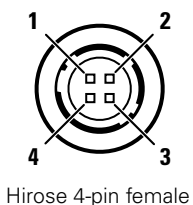
Viewfinder signal output connector



BNC connector

This BNC connector provides a 1.0 Vpp analog output video signal of the viewfinder signal. Markers and menus similar to those in the viewfinder can be superimposed on this signal.

Power output connector



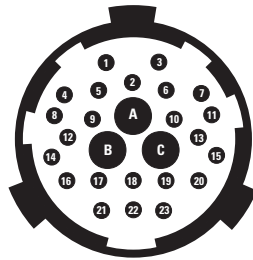
Hirose 4-pin female

Pin	Description
1	GND
2	On Air
3	Not connected
4	+12 VDC (max. 18 W)

Shield of cable directly to the connector housing.

The socket provides access to an internal tally switch. When the camera is OnAir, the contact of the internal relay is closed (contact between pin 1 and pin 2).

Multicore connector

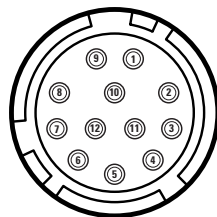


26-pin VTR connector

Pin	Description	Pin	Description
1	Audio X	14	TxD
2	Audio Shield	15	RxD
3	Audio Y	16	TxD return
4	Tally in (active > 3 V; imp. 10 k Ω)	17	Playback in
5	-Batt	18	CVBS
6	+Batt	19	Genlock in (HD tri-level sync. 0.6 V _{pp} , 75 Ω)
7	Record out ("stop" < 0.2 V; "start" > 4.5V; imp. 1 k Ω)	20	RxD ret
8	-Batt sense	21	Playback return
9	-Batt	22	CVBS return
10	+Batt	23	Genlock in return
11	+Batt sense	24	A: HD-SDI video out
12	-Batt	25	B: HD-SDI video out
13	+Batt	26	C: HD-SDI video out

This multicore connector provides the HD-SDI video outputs, control signals and the camera microphone signal. DC power can also be supplied to the camera via this connector. The connector accepts a playback video signal for display in the viewfinder. The start/stop control signal for an external recorder is also passed via this connector.

LCP connector



12-pin Hirose male connector

Pin	Description	Pin	Description
1	Not connected	7	Not connected
2	RS232 RxD	8	Not connected
3	RS232 TxD	9	+ Batt
4	Not connected	10	Not connected
5	GND	11	Not connected
6	Not connected	12	Housing

This connector is used to connect an LCP 100 Local Control Panel (LDK 5201) to the camera.

Chapter 8

Specifications

8.1 Specifications for LDK 8000 Elite/4000 Elite camera head

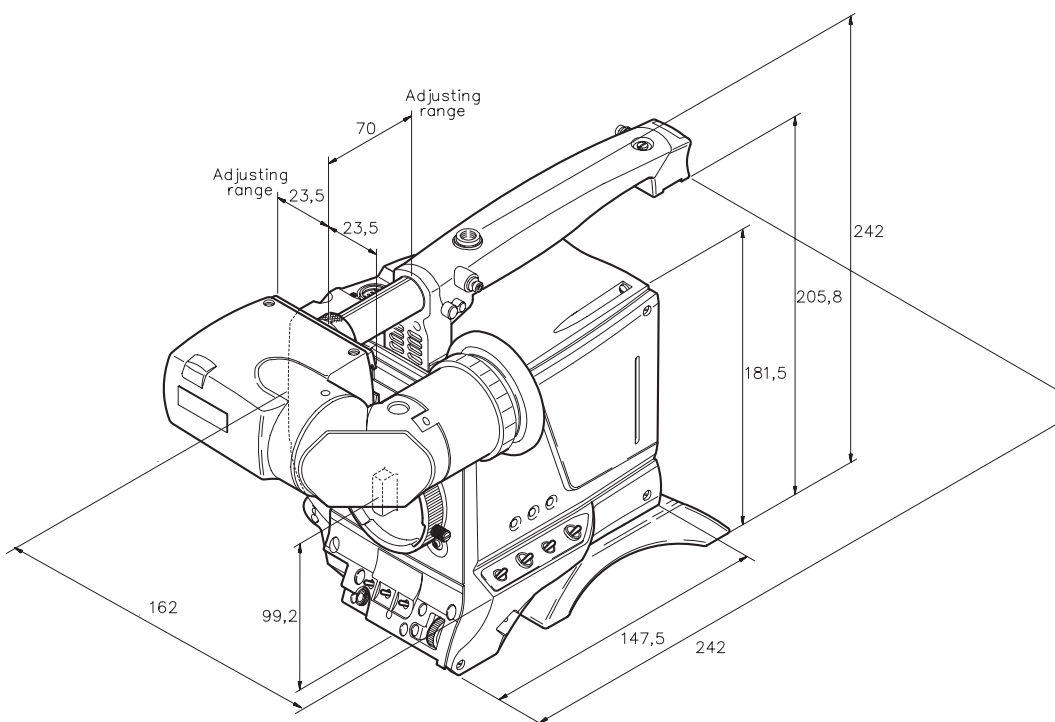
8.1.1 Technical

Item	Value
Power requirements	supplied via adaptor
Power consumption	44 W (LDK 8000 Elite/4000 Elite camera head + LDK 5861 TriaxHD adaptor + LDK 5302/60 2-inch viewfinder)
Operating temperatures	-20 to +45° C (-4 to +113° F), -20 to +35° C (-4 to +95° F) for 1080p50/59 video modes.
Storage temperatures	-20 to +60° C (-4 to +140° F)
Weight (approx.)	5.5 kg (12.1 lbs) incl. LDK 5861 TriaxHD adaptor and LDK 5302/60 2-inch viewfinder
Imagers	3 x 2/3-inch HD-DPM ⁺ CCDs
Picture elements	9.2 million pixels 1920 (H) x 4320 (V) effective
Digital quantization	14-bit A to D conversion
Digital signal processing	74.25 MHz or 148.5 MHz, 34-bit accuracy
Sensitivity	2,000 lux (186 ft cd) at F10.0 (typical, in 1080i50 mode), reflectance 90%
Minimum illumination	Approx. 12 lux at F1.4 and +12 dB gain
Exposure control	Down to 1/1000 s
Clean scanning	50.6 to 125.0 Hz (at 50 Hz) 61.0 to 150.0 Hz (at 59.94 Hz)
Smear	no vertical smear
Optical system	F1.4 prism system
Optical filters	first wheel: Clear, 1/4 ND, 1/16 ND, 1/64 ND second wheel: Clear, 4-point star, 6-point star, soft focus
Modulation depth	55% at 27 MHz (typical, 720p mode)
S/N ratio	60 dB
Registration	< 25 ns (0.05% max.) in all zones, without lens

Item	Value
Dynamic range	> 400%
Gain	-6 to +18 dB (in 3 dB steps or continuously variable)
Color matrices	6 standard, 2 variable
Color temperature	4 standard, 4 memories and continuously variable
White balance range	2500 to 20000 K
Highlight compression	Pivoting knee; digital True Color knee
Digital contrast	Black stretch and black press
Detail enhancement	Full amplitude RGB, extended dynamic range circuit
Skin tone memories	2

8.1.2 Dimensions

Figure 8-1. Dimension sketch



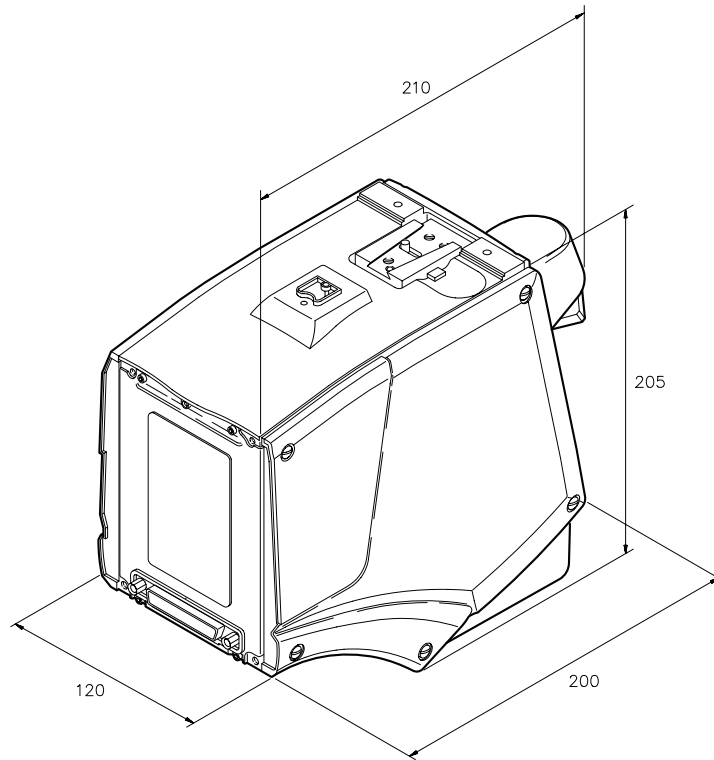
8.2 Specifications for LDK 5880 HD Fiber adaptor

8.2.1 Technical

Item	Value
Power requirements	Hybrid fiber powered or +12 VDC (local)
Operating temperatures	-20 to +45° C (-4 to +113° F)
Storage temperatures	-20 to +60° C (-4 to +140° F)
Weight (approx.)	2.3 kg (5.1 lbs)
Dimensions (L x W x H)	220 x 120 x 205 mm (8.7 x 4.7 x 8.1 in) without handgrip
Fiber connection	Swiveling hybrid fiber connector; type LEMO hybrid optical connector (SMPTE 304M), other versions available on request.
Fiber optical budget	> 14 dB
Fiber cable	4,000 m (13,200 ft) max. using SMPTE 311M hybrid fiber cable
Monitor (Y)	BNC connector 1.0 Vpp; 75 Ω
Teleprompter out or Reference in (local mode)	BNC connector 1.0 Vpp; 75 Ω or 0.6 Vpp HD tri-level reference signal
Tracker	11-pin communication / signalling connector
Auxiliary/ Data	11-pins private data
Rear microphone inputs	2x XLR-3, balanced, +48 V phantom power
Intercom	XLR-5 with channels Engineering/Production/Program
DC power input	12 VDC (11.5 to 17.0 VDC), XLR-4 male
Script light power output	12 VDC, 0.25 A, 3-pin Fischer
DC power output	12 VDC, 1.5 A, 4-pin Hirose

8.2.2 Dimensions

Figure 8-2. Dimension sketch



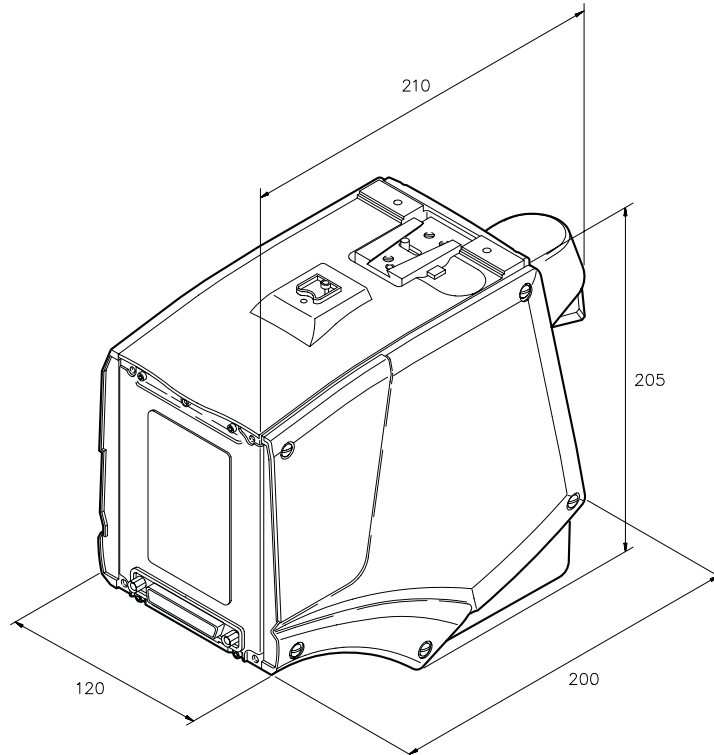
8.3 Specifications for LDK 5861 TriaxHD adaptor

8.3.1 Technical

Item	Value
Power requirements	Triax powered or +12 VDC external
Operating temperatures	-20 to +45° C (-4 to +113° F)
Storage temperatures	-20 to +60° C (-4 to +140° F)
Weight (approx.)	2.3 kg (5.1 lbs)
Dimensions (L x W x H)	220 x 120 x 205 mm (8.7 x 4.7 x 8.1 in) without handgrip
Triax connection	Swivel Triax connector; type Fischer, ARD, Lemo or Trilock
Triax cable length	1,200 m (4,000 ft) max. with 14 mm (0.55 in) cable (specified for Draka Triax cable)
Video output	2x HD-SDI (SMPTE 292M)
Monitor output	BNC connector 1.0 Vpp; 75 Ω
Teleprompter out or Reference in (local mode)	BNC connector 1.0 Vpp; 75 Ω 0.6 Vpp HD tri-level reference signal
Tracker	11-pin communication / signalling connector
Auxiliary/ Data	11-pin private data
Rear microphone inputs	2x XLR-3, balanced, +48 V phantom power
Intercom	XLR-5 with channels Eng/Prod/Prog
DC power input	12 VDC, XLR-4 male
Script light power output	12 VDC, 0.25 A, 3-pin Fischer
DC power output	12 VDC, 1.5 A, 4-pin Hirose

8.3.2 Dimensions

Figure 8-3. Dimension sketch



8.4 Specifications for LDK 5490 HD-SDI adaptor

8.4.1 Technical

Item	Value
Power requirements	+12 VDC
Power consumption	12 W
Operating temperatures	-20 to +45° C (-4 to +113° F)
Storage temperatures	-20 to +60° C (-4 to +140° F)
Weight (approx.)	1.5 kg (3.3 lbs)
Dimensions (L x W x H)	187 x 125 x 225 mm (7.4 x 4.9 x 8.9 in) without handgrip
HD-SDI outputs	3x BNC connector 0.8 Vpp; 75 Ω , SMPTE 292M (1.5 Gb/s)
CVBS Out	BNC connector 1.0 Vpp; 75 Ω
VF (Y) out	BNC connector 1.0 Vpp; 75 Ω
DC power input	12 VDC (11.5 to 17.0 VDC), XLR-4 male
DC power output	12 VDC, 1.5 A, 4-pin Hirose
LCP connector	12-pin Hirose; LCP100 local control panel connector

8.4.2 Dimensions

Figure 8-4. Dimension sketch

